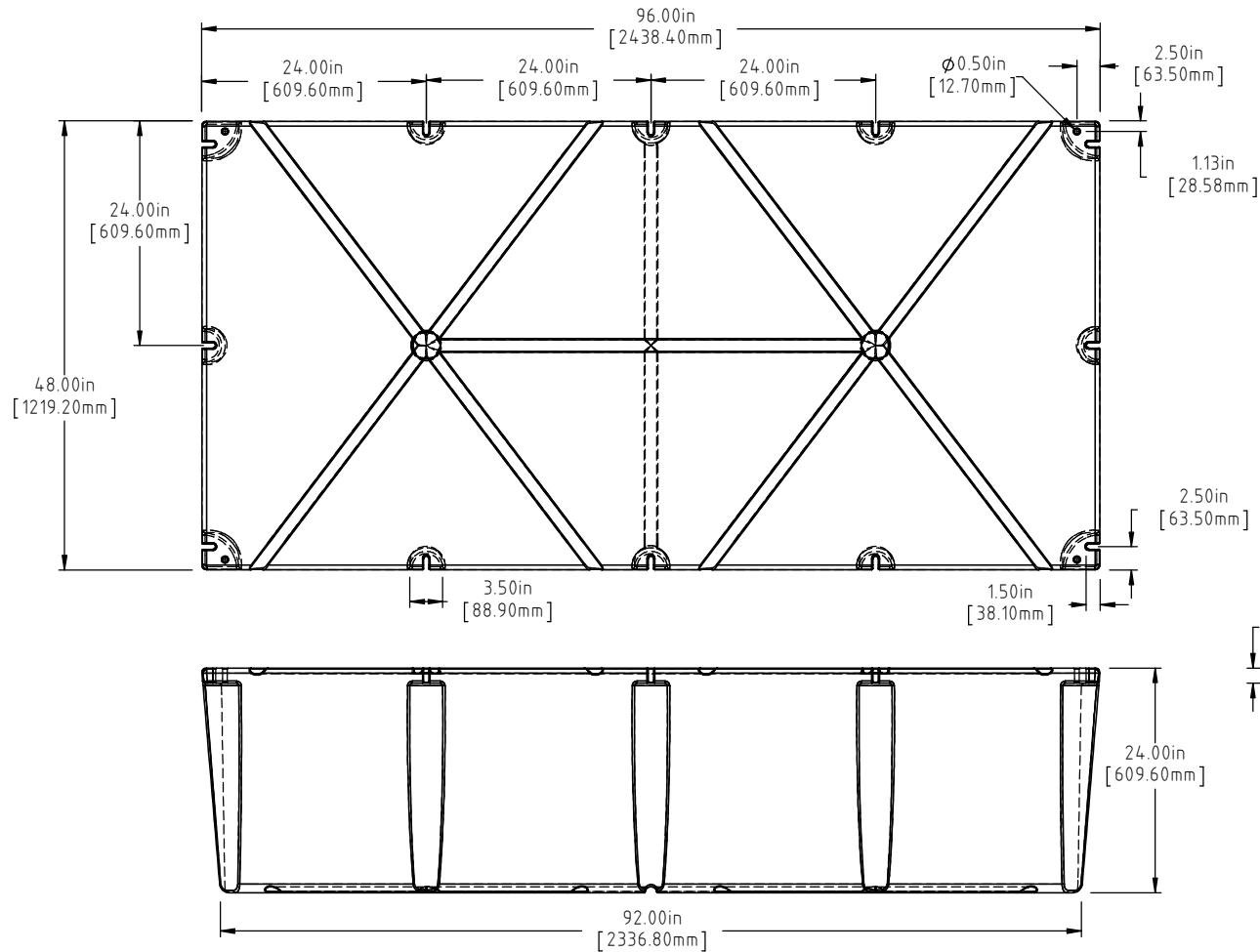



Copyright. All information furnished within this document, electronic file or design correspondence is the property of Den Hartog industries, Inc. and shall not be used, disclosed to others or copied without the expressed written consent of Den Hartog Industries, Inc.



(A) (C)
NOTE: BUOYANCY 3578.00 LBS.(1622.95 KG.)

C	163 LBS WAS 157 LBS, 3578 LBS WAS 3414 LBS	ADH 6/28/12	2420		
B	METRIC DIMENSIONS ADDED	ADH 6/23/08	1685	DRAWN / DATE DHJ 3/10/98	MATERIAL POLYETHYLENE
A	ADD BUOYANCY NOTE	GWC 1/11/07		APPRD. / DATE ADH 11/6/07	
A	CHANGE WEIGHT FF WAS 180	GWC 1/11/07			
REV	DESCRIPTION	BY / DATE	CCN		
ALL DIMENSIONS ARE IN DECIMAL INCHES TOLERANCES UNLESS OTHERWISE SPECIFIED		THIRD ANGLE PROJECTION ANSI 14.5M		SHOT WEIGHT: 98 LBS.(44.45 KG.)	NOTES: (A) (C) 1.) AF 98 LBS.(44.45 KG.) 2.) FF 163 LBS.(73.94 KG.) 3.) 0.150in(3.81mm) NOM. WALL
POLYETHYLENE		METAL DECIMAL ± .125" FRACTION ± 1/4" ANGLE ± 1°		SHIPPING WEIGHT: SEE NOTES	
±1% @ 68°F		FINISH:			



Den Hartog
INDUSTRIES, INC.

Acce Roto-Mold Injection Molding Blow Molding Sowjoy

4010 HOSPERS DRIVE S. BOX 425, HOSPERS, IOWA 51238-0425

DESCRIPTION 48 X 96 X 24 FLOAT	
SCALE N.S.	PART NO. 4896-24