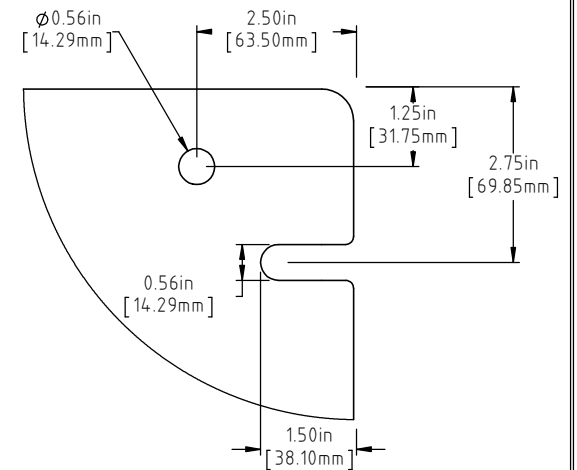
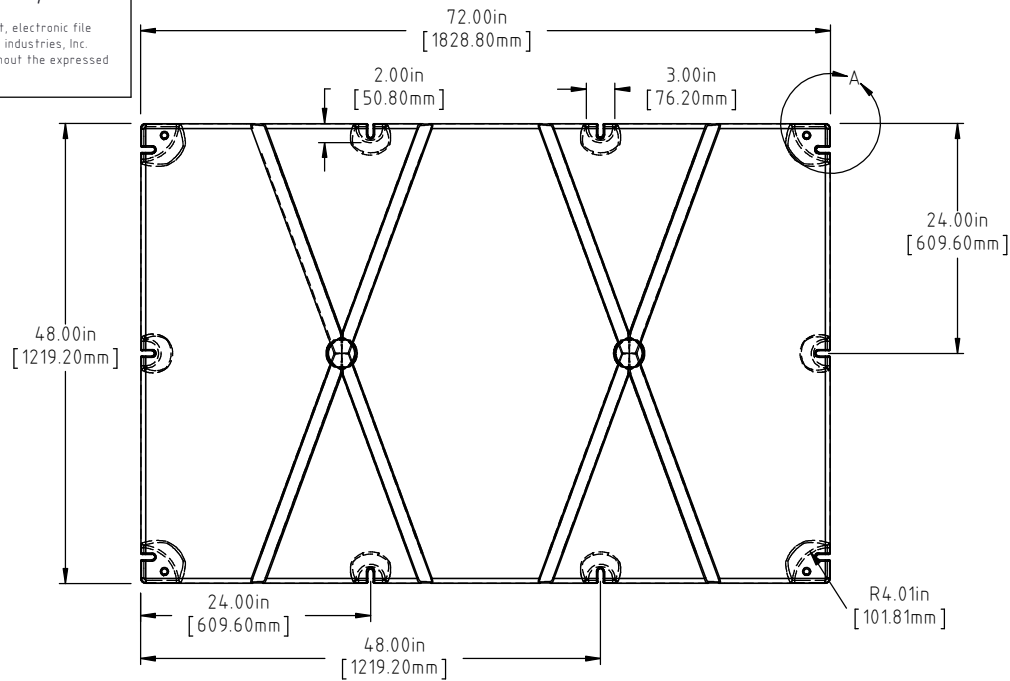
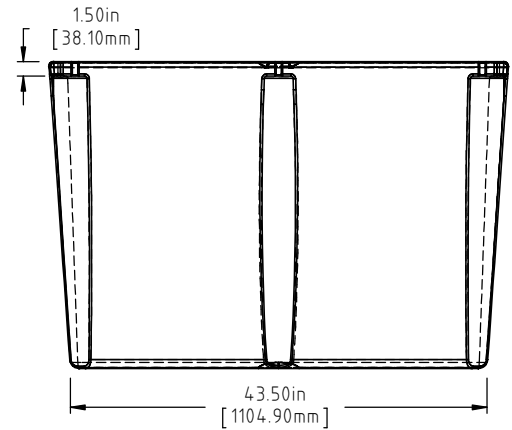
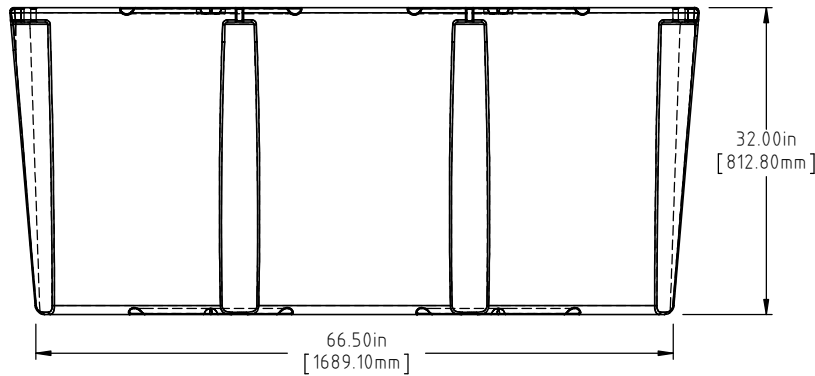


Copyright. All information furnished within this document, electronic file or design correspondence is the property of Den Hartog industries, Inc. and shall not be used, disclosed to others or copied without the expressed written consent of Den Hartog Industries, Inc.



CORNER DETAIL  
DETAIL A  
SCALE 1:3



Ⓐ Ⓒ

NOTE: BUOYANCY IS 3457 LBS.(1568.07 KG)

C	154 LBS WAS 153 LBS, 3457 LBS WAS 3365 LBS	ADH 6/26/12	2420		
B	METRIC DIMENSIONS ADDED	ADH 6/23/08	1685	DRAWN / DATE	MATERIAL
A	ADD BUOYANCY NOTE	GWC 1/11/07		DEAN 9/21/95	POLYETHYLENE
A	CHANGE WEIGHTS FF WAS 172	GWC 1/11/07		APPRD. / DATE	
REV	DESCRIPTION	BY / DATE	CCN	ADH 11/6/07	
ALL DIMENSIONS ARE IN DECIMAL INCHES TOLERANCES UNLESS OTHERWISE SPECIFIED		THIRD ANGLE PROJECTION ANSI 14.5M		SHOT WEIGHT:	NOTES Ⓐ Ⓒ
POLYETHYLENE		METAL DECIMAL ± .125" FRACTION ± 1/4" ANGLE ± 1°		95 LBS. (43.09 KG.)	1.) AF 95 LBS. (43.09 KG.)
±1% @ 68°F				SHIPPING WEIGHT: SEE NOTES	2.) FF 154 LBS. (69.85 KG.)
				FINISH:	3.) 0.175 IN (4.45 mm) NOM. WALL



**Den Hartog**  
INDUSTRIES, INC.

Acra Roto-Mold Injection Molding Blow Molding Sowjoy

4010 HOSPERS DRIVE S. BOX 425, HOSPERS, IOWA 51238-0425

DESCRIPTION		48 X 72 X 32 FLOAT
SCALE	N.S.	PART NO. 4872-32