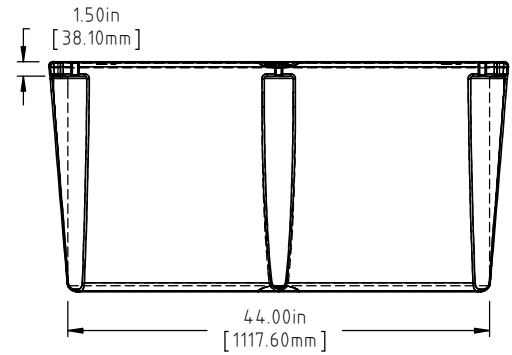


CORNER DETAIL
 DETAIL A
 SCALE 1:3



Ⓟ Ⓣ

NOTE: BUOYANCY IS 2701 LBS.(1225.15 KG)

D	123 LBS WAS 118 LBS, 2701 LBS WAS 2660 LBS	ADH 6/25/12	2420		
C	METRIC DIMENSIONS ADDED	ADH 6/20/08	1685	DRAWN / DATE	MATERIAL
B	ADD BUOYANCY NOTE	GWC 1/11/07		BOB 3/10/98	POLYETHYLENE
A	CHANGE FF WEIGHT WAS 132	12/27/05		APPRD. / DATE	
REV	DESCRIPTION	BY / DATE	CCN	ADH 11/6/07	
ALL DIMENSIONS ARE IN DECIMAL INCHES TOLERANCES UNLESS OTHERWISE SPECIFIED		THIRD ANGLE PROJECTION ANSI 14.5M		SHOT WEIGHT: 74 LBS. (33.57 KG.)	NOTES: Ⓟ Ⓣ 1.) AF 74 LBS. (33.57 KG.) 2.) FF 123 LBS. (55.79 KG.) 3.) 0.150 IN (3.81 mm) NOM. WALL
POLYETHYLENE		METAL DECIMAL $\pm .125"$ FRACTION $\pm 1/4"$ ANGLE $\pm 1^\circ$		SHIPPING WEIGHT: SEE NOTES	
$\pm 1\%$ @ 68°F				FINISH:	



Den Hartog
 INDUSTRIES, INC.

Acro-Roto-Mold Injection Molding Blow Molding Sowjey

4010 HOSPERS DRIVE S. BOX 425, HOSPERS, IOWA 51238-0425

DESCRIPTION		48 X 72 X 24 FLOAT
SCALE	N.S.	PART NO. 4872-24