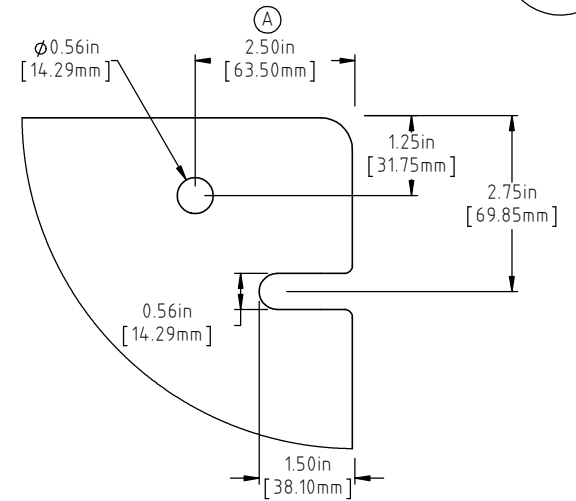
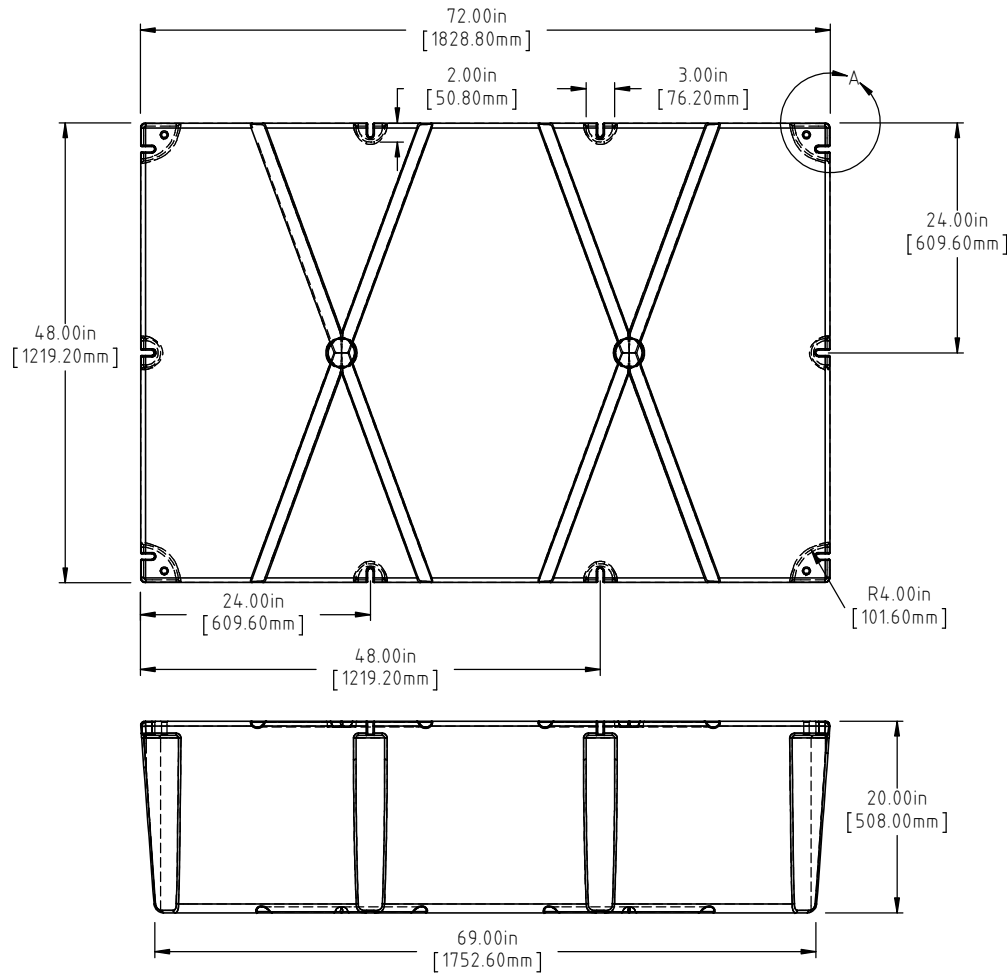
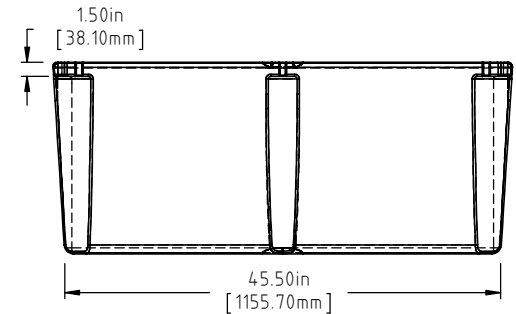


Copyright. All information furnished within this document, electronic file or design correspondence is the property of Den Hartog industries, Inc. and shall not be used, disclosed to others or copied without the expressed written consent of Den Hartog Industries, Inc.




CORNER DETAIL  
DETAIL A  
SCALE 1:3



ⓑ ⓐ

NOTE: BUOYANCY IS 2225 LBS.(1009.24 KG)

D	111 LBS WAS 108 LBS, 2225 LBS WAS 2266 LBS	ADH 6/25/12	2420		
C	METRIC DIMENSIONS ADDED	ADH 6/19/08	1685		
B	ADD BUOYANCY NOTE	GWC 1/11/07		DRAWN / DATE	MATERIAL
B	CHANGE WEIGHTS AF WAS 65 FF WAS 116	GWC 1/11/07		DEAN 11/18/94	POLYETHYLENE
A	2-1/2 WAS 2-1/8	7/10/06		APPRD. / DATE	
REV	DESCRIPTION	BY / DATE	CCN	ADH 11/6/07	
ALL DIMENSIONS ARE IN DECIMAL INCHES TOLERANCES UNLESS OTHERWISE SPECIFIED		THIRD ANGLE PROJECTION ANSI 14.5M		SHOT WEIGHT: 71 LBS. (32.21 KG.)	NOTES: ⓐ ⓑ
POLYETHYLENE		METAL DECIMAL ± .125" FRACTION ± 1/4" ANGLE ± 1°		SHIPPING WEIGHT: SEE NOTES	1.) AF 71 LBS. (32.21 KG.)
±1% @ 68°F				FINISH:	2.) FF 111 LBS. (50.35 KG.)
					3.) 0.150 IN (3.81 mm) NOM. WALL



**Den Hartog**  
INDUSTRIES, INC.

Acra Roto-Mold Injection Molding Blow Molding Sowjoy

4010 HOSPERS DRIVE S. BOX 425, HOSPERS, IOWA 51238-0425

DESCRIPTION 48 X 72 X 20 FLOAT	
SCALE N.S.	PART NO. 4872-20