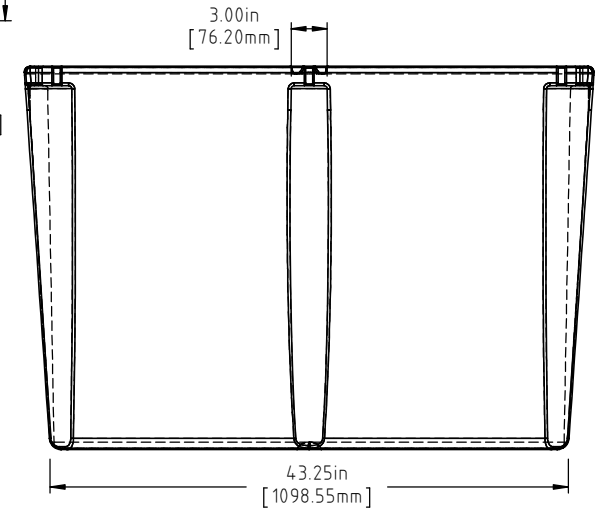
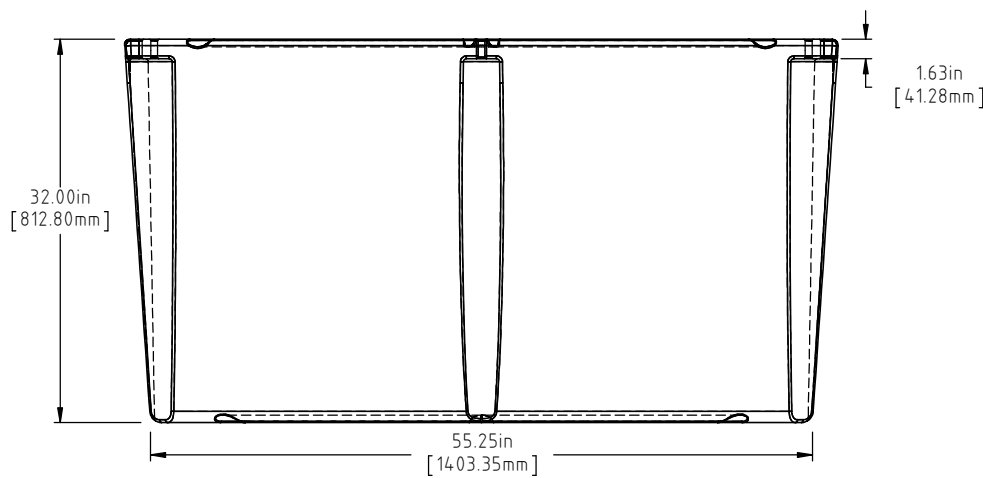
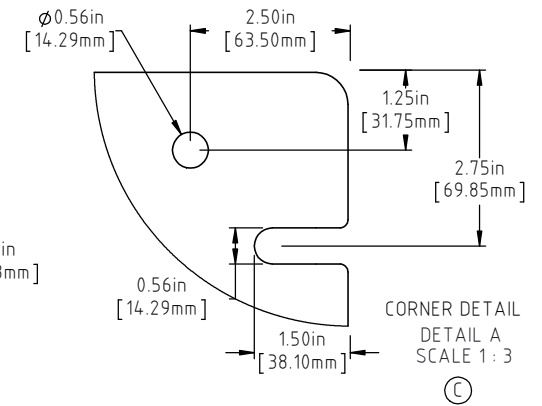
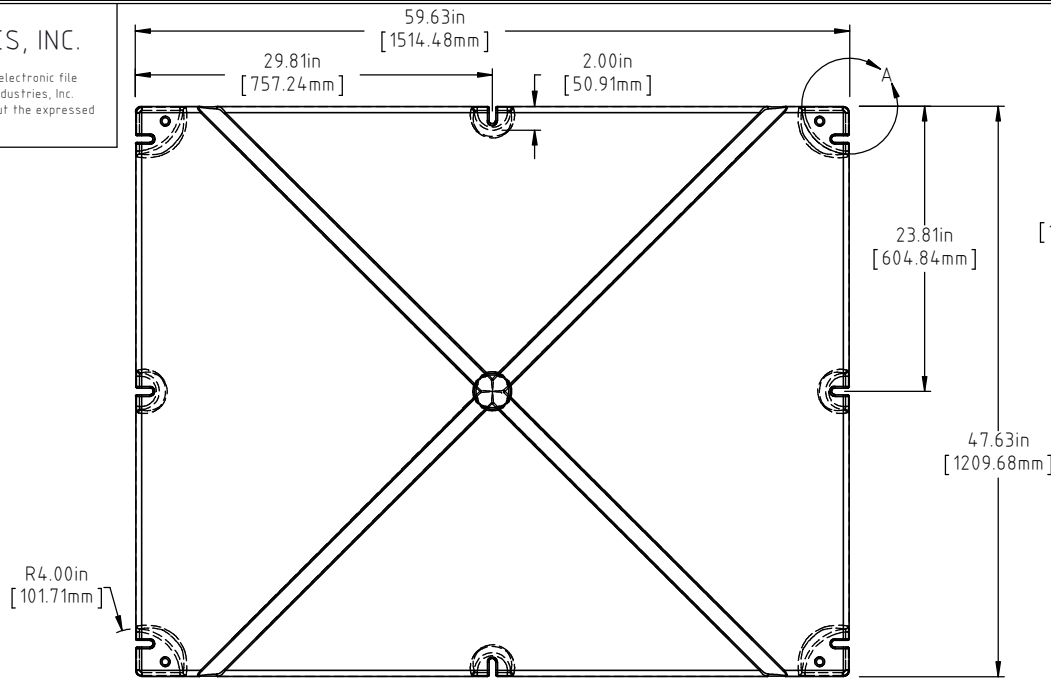


© DEN HARTOG INDUSTRIES, INC.

Copyright. All information furnished within this document, electronic file or design correspondence is the property of Den Hartog industries, Inc. and shall not be used, disclosed to others or copied without the expressed written consent of Den Hartog Industries, Inc.

4860-32

D



(A)(D)

NOTE: BUOYANCY IS 2815 LBS.(1276.86 KG)

D	2815 LBS WAS 2800 LBS	ADH 6/25/12	2420		
C	CORNER DETAIL ADDED	ADH 8/28/08	1710	DRAWN / DATE	MATERIAL
B	METRIC DIMENSIONS ADDED	ADH 7/1/08	1685	REH 8/29/03	POLYETHYLENE
A	ADD BUOYANCY NOTE	GWC 1/11/07		APPRD. / DATE	
REV	DESCRIPTION	BY / DATE	CCN	ADH 11/6/07	
ALL DIMENSIONS ARE IN DECIMAL INCHES TOLERANCES UNLESS OTHERWISE SPECIFIED		THIRD ANGLE PROJECTION ANSI 14.5M		SHOT WEIGHT:	NOTES:
POLYETHYLENE				82 LBS. (37.19 KG.)	1.) AF 82 LBS. (37.19 KG.)
±1% @ 68°F		METAL DECIMAL ± .125" FRACTION ± 1/4" ANGLE ± 1°		SHIPPING WEIGHT: SEE NOTES	2.) FF 130 LBS. (58.97 KG.)
				FINISH:	



**Den Hartog**  
INDUSTRIES, INC.

Acro Roto-Mold Injection Molding Blow Molding Sowjoy

4010 HOSPERS DRIVE S. BOX 425, HOSPERS, IOWA 51238-0425

DESCRIPTION	48 X 60 X 32 FLOAT
SCALE	N.S.
PART NO.	4860-32