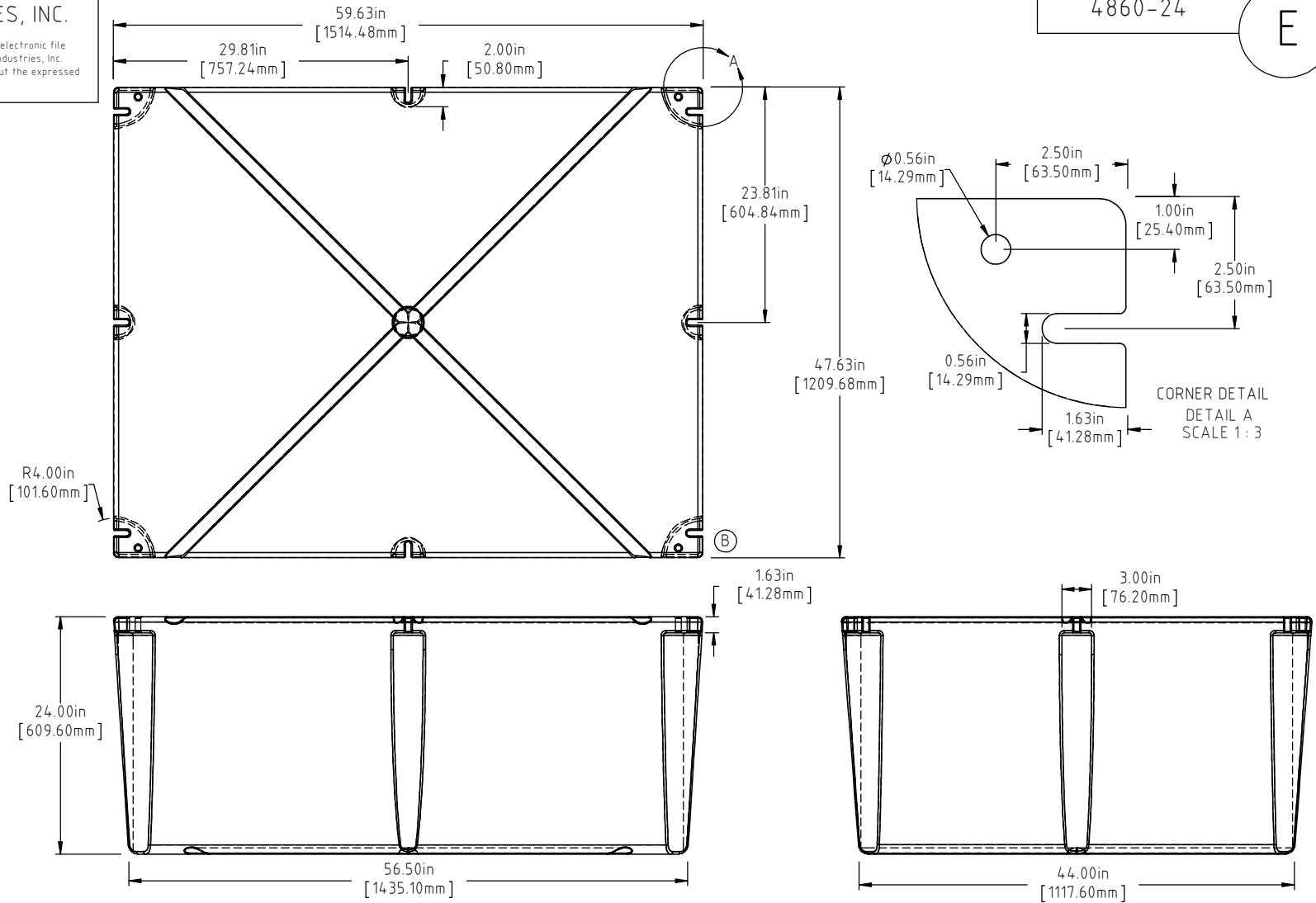


© DEN HARTOG INDUSTRIES, INC.

Copyright. All information furnished within this document, electronic file or design correspondence is the property of Den Hartog industries, Inc. and shall not be used, disclosed to others or copied without the expressed written consent of Den Hartog Industries, Inc.

4860-24

E

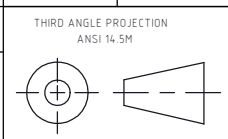


| | | | |
|-----|--|-------------|------|
| E | 106 LBS WAS 103 LBS, 2199 LBS WAS 2174 LBS | ADH 6/25/12 | 2420 |
| D | METRIC DIMENSIONS ADDED | ADH 7/1/08 | 1685 |
| C | ADD BUOYANCY NOTE | GWC 1/11/07 | |
| B | CHANGE CORNER SLOT ORIENTATION | 12/27/05 | |
| A | CHANGE FF WEIGHT WAS 114 | 12/27/05 | |
| REV | DESCRIPTION | BY / DATE | CCN |

| | |
|---------------|--------------|
| DRAWN / DATE | MATERIAL |
| REH 9/9/98 | POLYETHYLENE |
| APPRD. / DATE | |
| ADH 11/5/07 | |


NOTE: BUOYANCY IS 2199 LBS.(997.45 KG)

ALL DIMENSIONS ARE IN DECIMAL INCHES
 TOLERANCES UNLESS OTHERWISE SPECIFIED
 POLYETHYLENE
 ±1% @ 68°F



SHOT WEIGHT:
66 LBS. (29.94 KG.)
 SHIPPING WEIGHT:
SEE NOTES
 FINISH:

NOTES: (A) (E)
 1.) AF 66 LBS. (29.94 KG.)
 2.) FF 106 LBS. (48.08 KG.)
 3.) 0.150 IN (3.81 mm) NOM. WALL



Den Hartog
INDUSTRIES, INC.

Acc Roto-Mold Injection Molding Blow Molding Sowjoy

4010 HOSPERS DRIVE S. BOX 425, HOSPERS, IOWA 51238-0425

| | | |
|-------------|--------------------|------------------|
| DESCRIPTION | 48 X 60 X 24 FLOAT | |
| SCALE | N.S. | PART NO. 4860-24 |