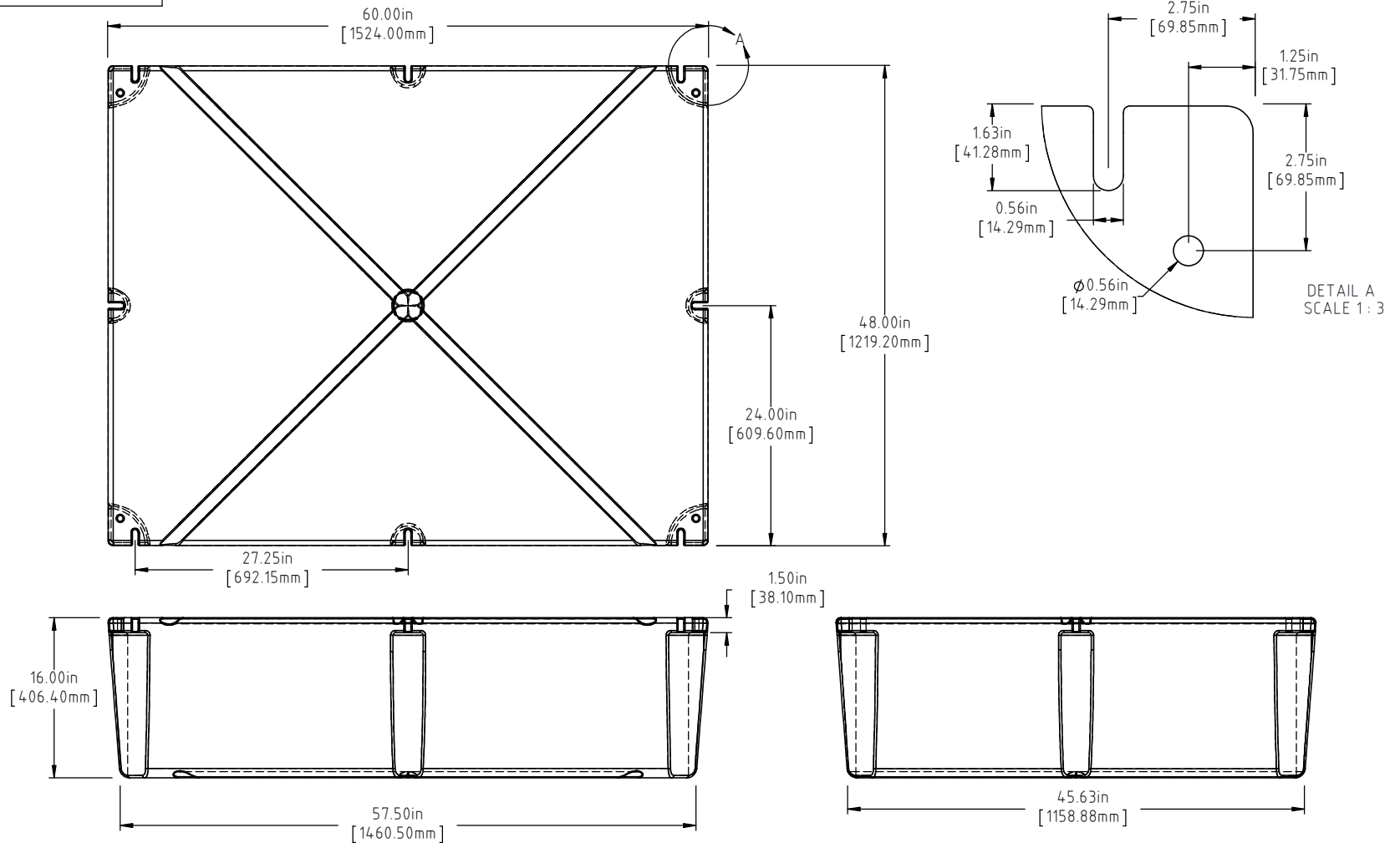


Copyright. All information furnished within this document, electronic file or design correspondence is the property of Den Hartog industries, Inc. and shall not be used, disclosed to others or copied without the expressed written consent of Den Hartog Industries, Inc.



E	80 LBS WAS 79 LBS, 1497 LBS WAS 1488 LBS	ADH 6/25/12	2420
D	METRIC DIMENSIONS ADDED	ADH 7/1/08	1685
C	ADD BUOYANCY NOTE	GWC 1/11/07	
B	CHANGE WEIGHTS AF WAS 55 FF WAS 84	GWC 1/11/07	
A	CHANGE SLOT ORIENTATION	DHJ 6/15/04	
REV	DESCRIPTION	BY / DATE	CCN
ALL DIMENSIONS ARE IN DECIMAL INCHES TOLERANCES UNLESS OTHERWISE SPECIFIED		THIRD ANGLE PROJECTION ANSI 14.5M	
POLYETHYLENE			
±1% @ 68°F		SHOT WEIGHT: 54 LBS. (24.49 KG.) SHIPPING WEIGHT: SEE NOTES FINISH:	

DRAWN / DATE DHJ 6/21/96	MATERIAL POLYETHYLENE
APPRD. / DATE ADH 2/18/08	
NOTES: (B)(E) 1.) AF 54 LBS. (24.49 KG.) 2.) FF 80 LBS. (36.29 KG.) 3.) 0.150 IN (3.81 mm) NOM. WALL	

(C)(E)  
NOTE: BUOYANCY IS 1497 LBS.(679.03 KG)

**Den Hartog**  
INDUSTRIES, INC.

Acro Roto-Mold Injection Molding Blow Molding Sowjoy

4010 HOSPERS DRIVE S. BOX 425, HOSPERS, IOWA 51238-0425

DESCRIPTION 48 X 60 X 16 FLOAT	
SCALE N.S.	PART NO. 4860-16