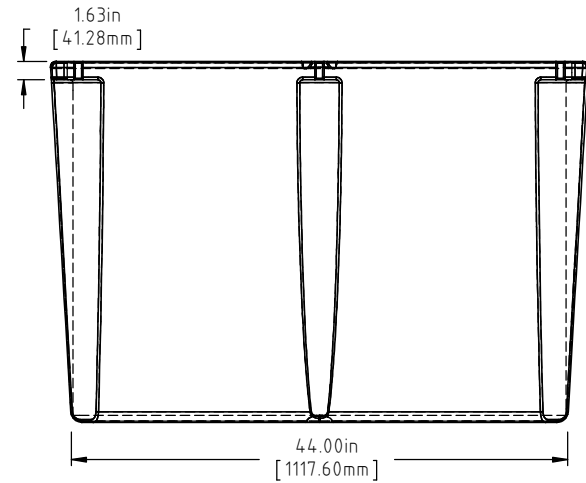
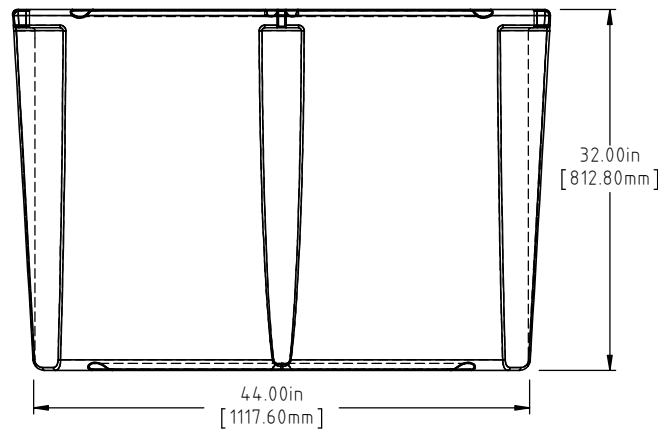
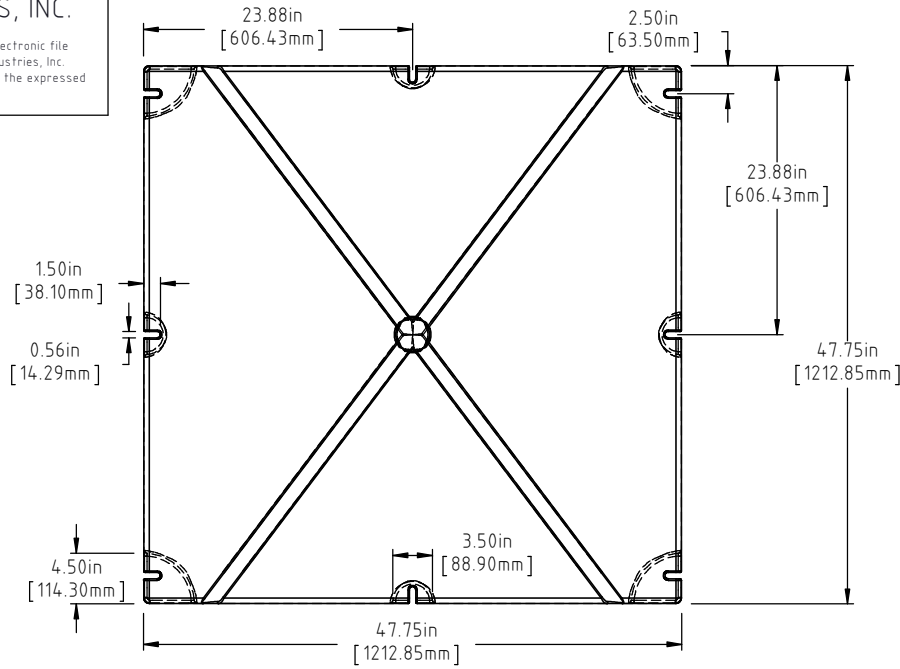


Copyright. All information furnished within this document, electronic file or design correspondence is the property of Den Hartog industries, Inc. and shall not be used, disclosed to others or copied without the expressed written consent of Den Hartog Industries, Inc.



ⓅⓈ

NOTE: BUOYANCY IS 2231 LBS.(1011.96 KG)

D	108 LBS WAS 106 LBS, 2231 LBS WAS 2191 LBS	ADH 6/25/12	2420
C	METRIC DIMENSIONS ADDED	ADH 6/20/08	1685
B	ADD BUOYANCY NOTE	GWC 1/10/07	
A	CORRECT HEIGHT DIM	10/27/04	
REV	DESCRIPTION	BY / DATE	CCN

DRAWN / DATE	MATERIAL
DHJ 8/29/03	POLYETHYLENE
APPRD. / DATE	
ADH 11/5/07	



Den Hartog
INDUSTRIES, INC.

Acro Roto-Mold Injection Molding Blow Molding Sowjoy

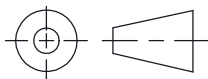
4010 HOSPERS DRIVE S. BOX 425, HOSPERS, IOWA 51238-0425

ALL DIMENSIONS ARE IN DECIMAL INCHES
TOLERANCES UNLESS OTHERWISE SPECIFIED

POLYETHYLENE

±1% @ 68°F

THIRD ANGLE PROJECTION
ANSI 14.5M



SHOT WEIGHT:	NOTES: ⓅⓈ
68 LBS. (30.84 KG.)	1.) AF 68 LBS. (30.84 KG.)
SHIPPING WEIGHT:	2.) FF 108 LBS. (48.99 KG.)
SEE NOTES	3.) 0.150 IN (3.81 mm) NOM. WALL
FINISH:	

DESCRIPTION	48 X 48 X 32 FLOAT	
SCALE	N.S.	PART NO. 4848-32