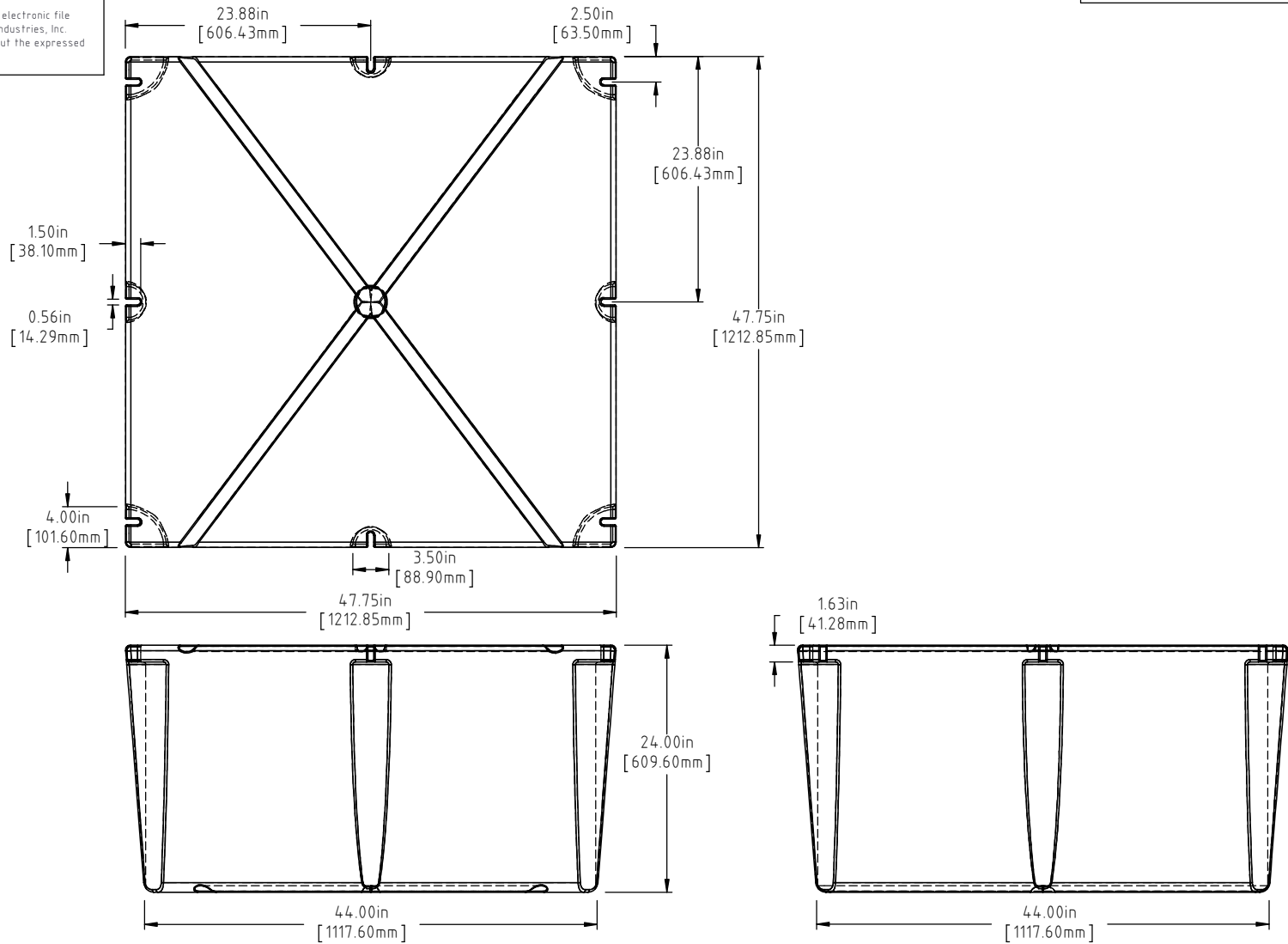



Copyright. All information furnished within this document, electronic file or design correspondence is the property of Den Hartog industries, Inc. and shall not be used, disclosed to others or copied without the expressed written consent of Den Hartog Industries, Inc.



(B)(D)

NOTE: BUOYANCY IS 1738 LBS.(788.34 KG)

D	86 LBS WAS 83 LBS, 1738 LBS WAS 1741 LBS	ADH 6/25/12	2420		
C	METRIC DIMENSIONS ADDED	ADH 6/20/08	1685	DRAWN / DATE DHJ 3/10/98	MATERIAL POLYETHYLENE
B	ADD BUOYANCY NOTE	GWC 1/10/07		APPRD. / DATE ADH 11/5/07	
A	CHANGE WEIGHTS FF WAS 88	12/27/05			
REV	DESCRIPTION	BY / DATE	CCN		
ALL DIMENSIONS ARE IN DECIMAL INCHES TOLERANCES UNLESS OTHERWISE SPECIFIED		THIRD ANGLE PROJECTION ANSI 14.5M		SHOT WEIGHT: 54 LBS. (24.49 KG.)	NOTES: (A)(D) 1.) AF 54 LBS. (24.49 KG.) 2.) FF 86 LBS. (39.01 KG.) 3.) 0.150 IN (3.81 mm) NOM. WALL
POLYETHYLENE		METAL DECIMAL ± .125" FRACTION ± 1/4" ANGLE ± 1°		SHIPPING WEIGHT: SEE NOTES	
±1% @ 68°F				FINISH:	



Den Hartog

INDUSTRIES, INC.

Ace Roto-Mold Injection Molding Blow Molding Sowjoy

4010 HOSPERS DRIVE S. BOX 425, HOSPERS, IOWA 51238-0425

DESCRIPTION 48 X 48 X 24 FLOAT	
SCALE N.S.	PART NO. 4848-24