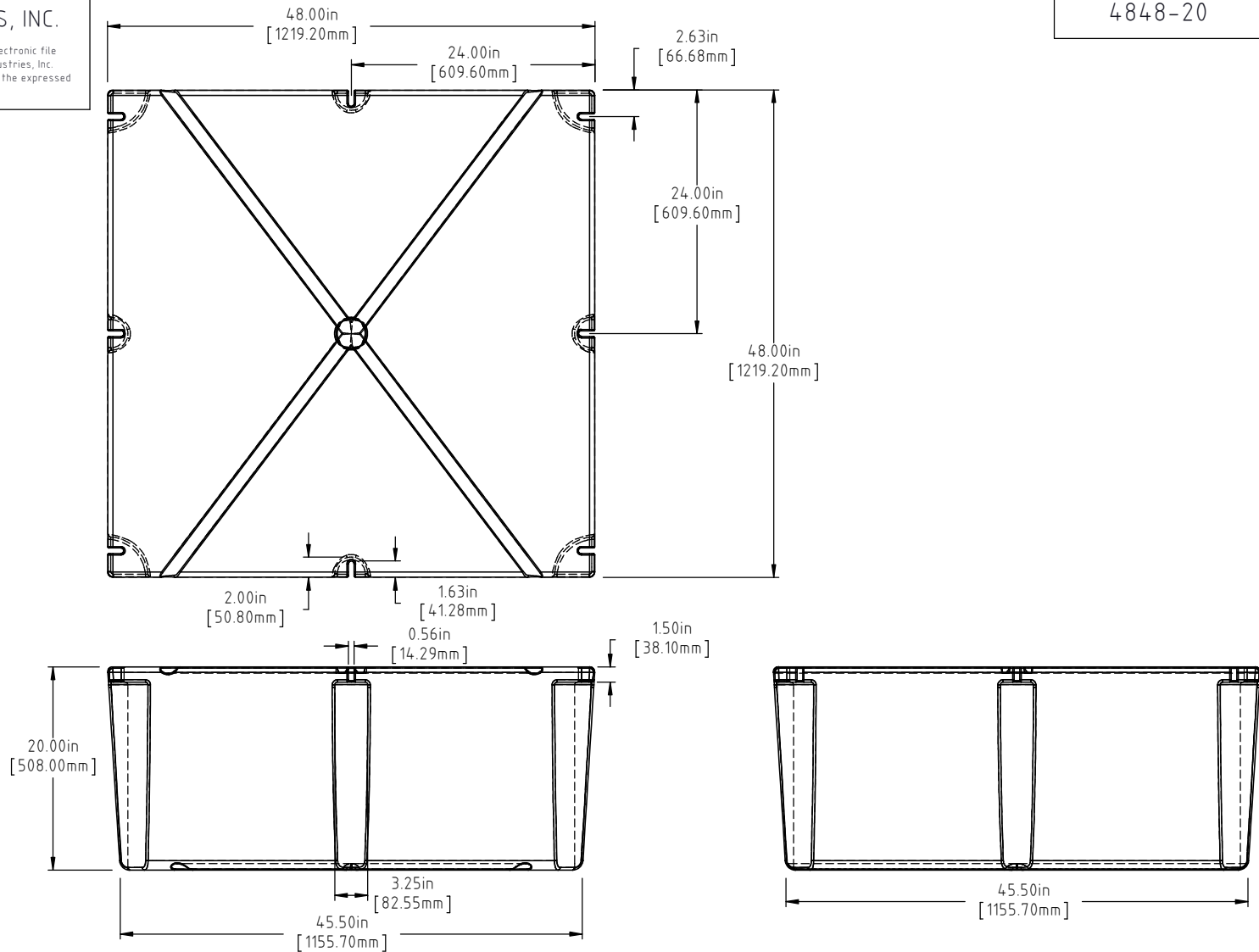


Copyright. All information furnished within this document, electronic file or design correspondence is the property of Den Hartog industries, Inc. and shall not be used, disclosed to others or copied without the expressed written consent of Den Hartog Industries, Inc.



C	77 LBS WAS 75 LBS, 1480 LBS WAS 1478 LBS	ADH 6/25/12	2420
B	METRIC DIMENSIONS ADDED	ADH 6/27/08	1685
A	ADD BUOYANCY NOTE	GWC 1/10/07	
A	CHANGE WEIGHTS AF WAS 47 FF WAS 81	GWC 1/10/07	
1	CHANGE WEIGHTS	11/16/94	
REV	DESCRIPTION	BY / DATE	CCN

DRAWN / DATE DEAN 4/18/94	MATERIAL POLYETHYLENE
APPRD. / DATE ADH 11/5/07	



NOTE: BUOYANCY IS 1480 LBS.(671.32 KG)



Den Hartog
INDUSTRIES, INC.

Acro Roto-Mold Injection Molding Blow Molding Sowjoy

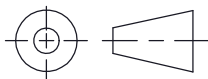
4010 HOSPERS DRIVE S. BOX 425, HOSPERS, IOWA 51238-0425

ALL DIMENSIONS ARE IN DECIMAL INCHES
TOLERANCES UNLESS OTHERWISE SPECIFIED

POLYETHYLENE

±1% @ 68°F

THIRD ANGLE PROJECTION
ANSI 14.5M



SHOT WEIGHT:
50 LBS. (22.68 KG.)

SHIPPING WEIGHT:
SEE NOTES

FINISH:

NOTES: (A)(C)
1.) AF 50 LBS. (22.68 KG.)
2.) FF 77 LBS. (34.93 KG.)
3.) 0.150 IN (3.81 mm) NOM. WALL

DESCRIPTION 48 X 48 X 20 FLOAT	SCALE N.S.	PART NO. 4848-20
-----------------------------------	---------------	---------------------