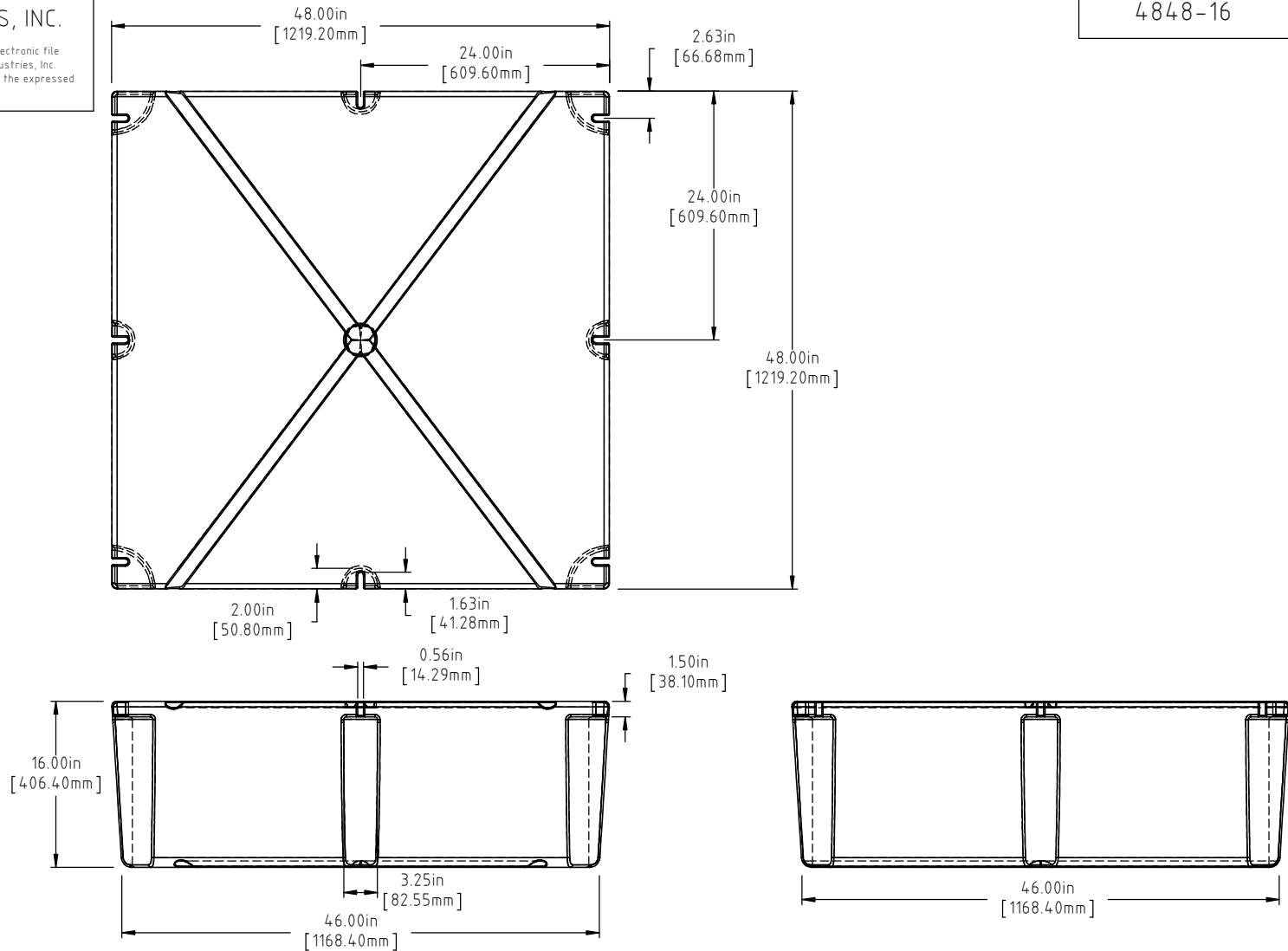


Copyright. All information furnished within this document, electronic file or design correspondence is the property of Den Hartog industries, Inc. and shall not be used, disclosed to others or copied without the expressed written consent of Den Hartog Industries, Inc.



C	67 LBS WAS 65 LBS, 1182 LBS WAS 1215 LBS	ADH 6/25/12	2420
B	METRIC DIMENSIONS ADDED	ADH 2/27/08	1685
A	ADD BUOYANCY NOTE	GWC 1/10/07	
A	CHANGE WEIGHTS AF WAS 42 FF WAS 73	GWC 1/10/07	
1	CHANGE WEIGHTS	11/16/94	
REV	DESCRIPTION	BY / DATE	CCN

DRAWN / DATE	MATERIAL
DEAN 4/18/94	POLYETHYLENE
APPRD. / DATE	
ADH 11/5/07	



NOTE: BUOYANCY IS 1182 LBS.(180.64 KG)



**Den Hartog**  
INDUSTRIES, INC.

Acra Roto-Mold Injection Molding Blow Molding Sowjoy

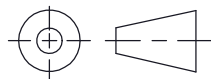
4010 HOSPERS DRIVE S. BOX 425, HOSPERS, IOWA 51238-0425

ALL DIMENSIONS ARE IN DECIMAL INCHES  
TOLERANCES UNLESS OTHERWISE SPECIFIED

POLYETHYLENE

±1% @ 68°F

THIRD ANGLE PROJECTION  
ANSI 14.5M



SHOT WEIGHT: 45 LBS. (20.41 KG.)

SHIPPING WEIGHT: SEE NOTES

FINISH:

NOTES: A/C

1.) AF 45 LBS. (20.41 KG.)

2.) FF 67 LBS. (30.39 KG.)

3.) 0.150 IN (3.81 mm) NOM. WALL

DESCRIPTION	48 X 48 X 16 FLOAT	
SCALE	N.S.	PART NO. 4848-16