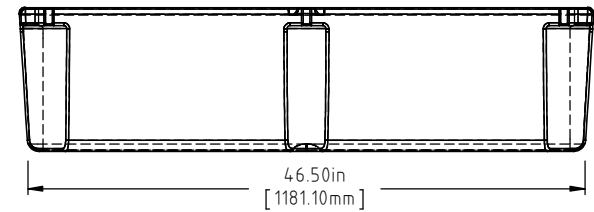
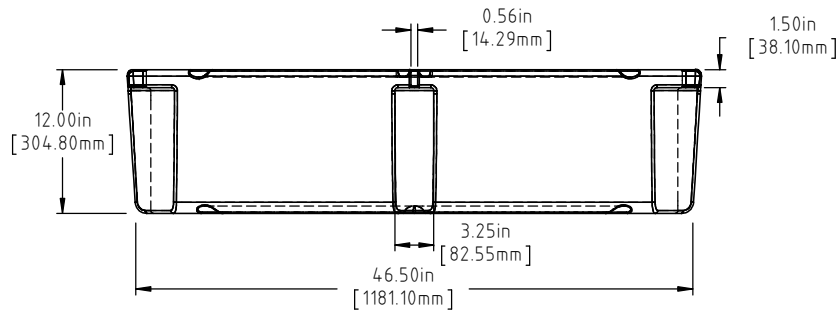
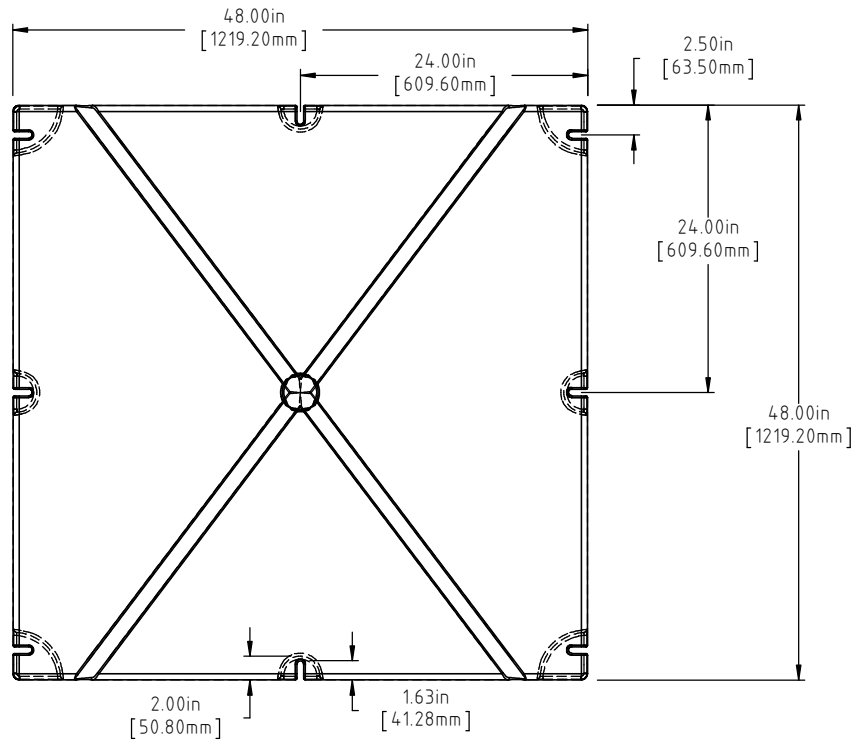


Copyright. All information furnished within this document, electronic file or design correspondence is the property of Den Hartog industries, Inc. and shall not be used, disclosed to others or copied without the expressed written consent of Den Hartog Industries, Inc.



C	55 LBS WAS 53 LBS, 878 LBS WAS 890 LBS	ADH 6/25/12	2420
B	METRIC DIMENSIONS ADDED	ADH 6/26/08	1685
A	ADD BUOYANCY NOTE	GWC 1/10/07	
A	CHANGE WEIGHTS AF WAS 36 FF WAS 61	GWC 1/10/07	
1	CHANGE WEIGHTS	11/16/94	
REV	DESCRIPTION	BY / DATE	CCN

DRAWN / DATE	MATERIAL
DEAN 4/18/94	POLYETHYLENE
APPRD. / DATE	
ADH 11/5/07	



NOTE: BUOYANCY IS 878 LBS.(398.25 KG)



Den Hartog
INDUSTRIES, INC.

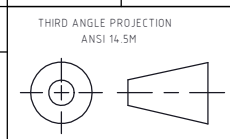
Acro Roto-Mold Injection Molding Blow Molding Blow Jockey

4010 HOSPERS DRIVE S. BOX 425, HOSPERS, IOWA 51238-0425

ALL DIMENSIONS ARE IN DECIMAL INCHES
TOLERANCES UNLESS OTHERWISE SPECIFIED

POLYETHYLENE

±1% @ 68°F



SHOT WEIGHT:
38 LBS. (17.24 KG.)

SHIPPING WEIGHT:
SEE NOTES

FINISH:

NOTES: (A) (C)

1.) AF 38 LBS. (17.24 KG.)

2.) FF 55 LBS. (24.04 KG.)

3.) 0.150 IN (3.81 mm) NOM. WALL

DESCRIPTION	48 X 48 X 12 FLOAT	
SCALE	N.S.	PART NO. 4848-12