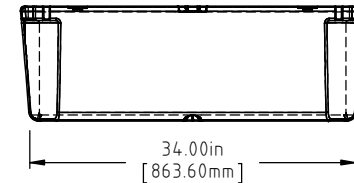
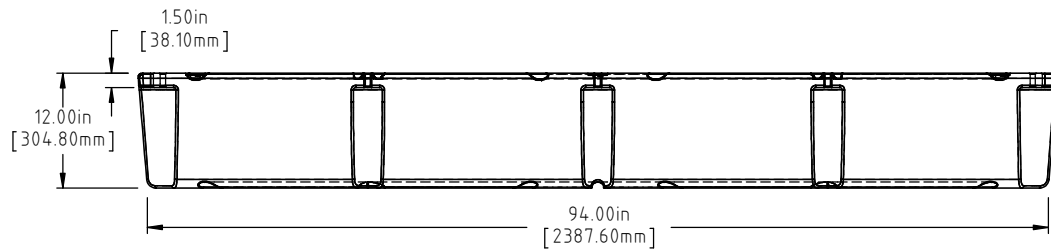
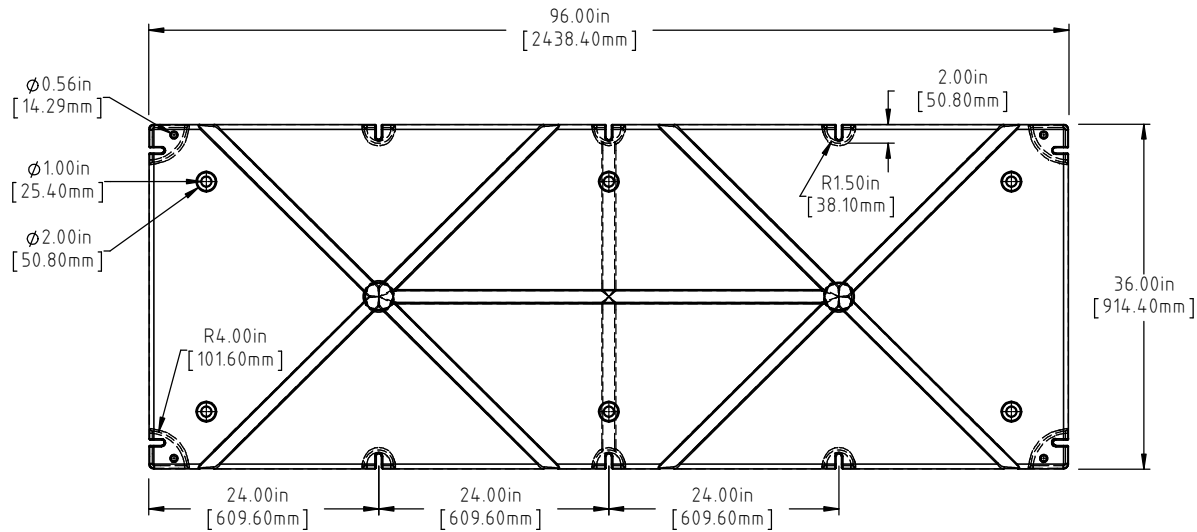



Copyright. All information furnished within this document, electronic file or design correspondence is the property of Den Hartog industries, Inc. and shall not be used, disclosed to others or copied without the expressed written consent of Den Hartog Industries, Inc.



Ⓐ NOTE: BUOYANCY 1331.00 LBS.(603.73 KG.)

				DRAWN / DATE DHJ 1/10/06	MATERIAL POLYETHYLENE
A	90 LBS WAS 89, BUOYANCY NOTE ADDED	ADH 6/22/12	2420	APPRD. / DATE ADH 11/5/07	
REV	DESCRIPTION	BY / DATE	CCN		
ALL DIMENSIONS ARE IN DECIMAL INCHES TOLERANCES UNLESS OTHERWISE SPECIFIED		THIRD ANGLE PROJECTION ANSI 14.5M		SHOT WEIGHT: 65 LBS.(29.48 KG.)	NOTES: Ⓐ
POLYETHYLENE		METAL DECIMAL ± .125" FRACTION ± 1/4" ANGLE ± 1°		SHIPPING WEIGHT: SEE NOTES	1.) AF 65 LBS.(29.48 KG.) 2.) FF 90 LBS.(40.82 KG)
±1% @ 68°F				FINISH:	



Den Hartog
INDUSTRIES, INC.

Acro-Roto-Mold Injection Molding Blow Molding Blow-Jet

4010 HOSPERS DRIVE S. BOX 425, HOSPERS, IOWA 51238-0425

DESCRIPTION 36 X 96 X 12 FLOAT	
SCALE N.S.	PART NO. 3696-12