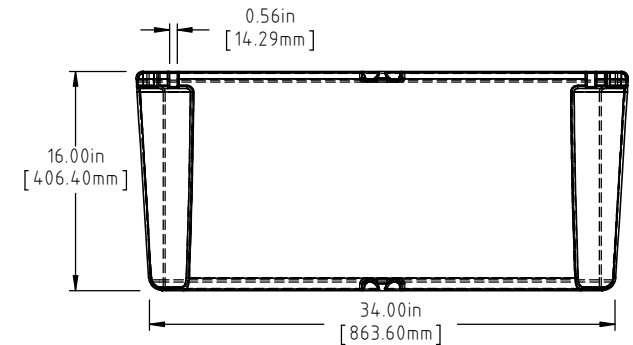
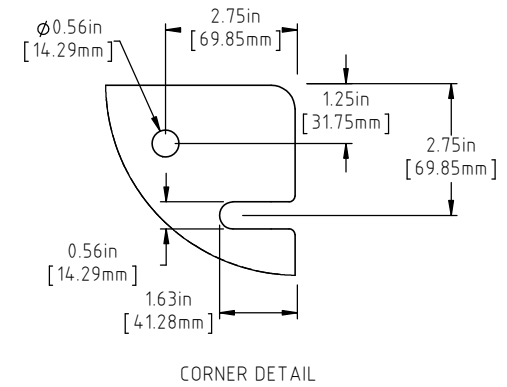
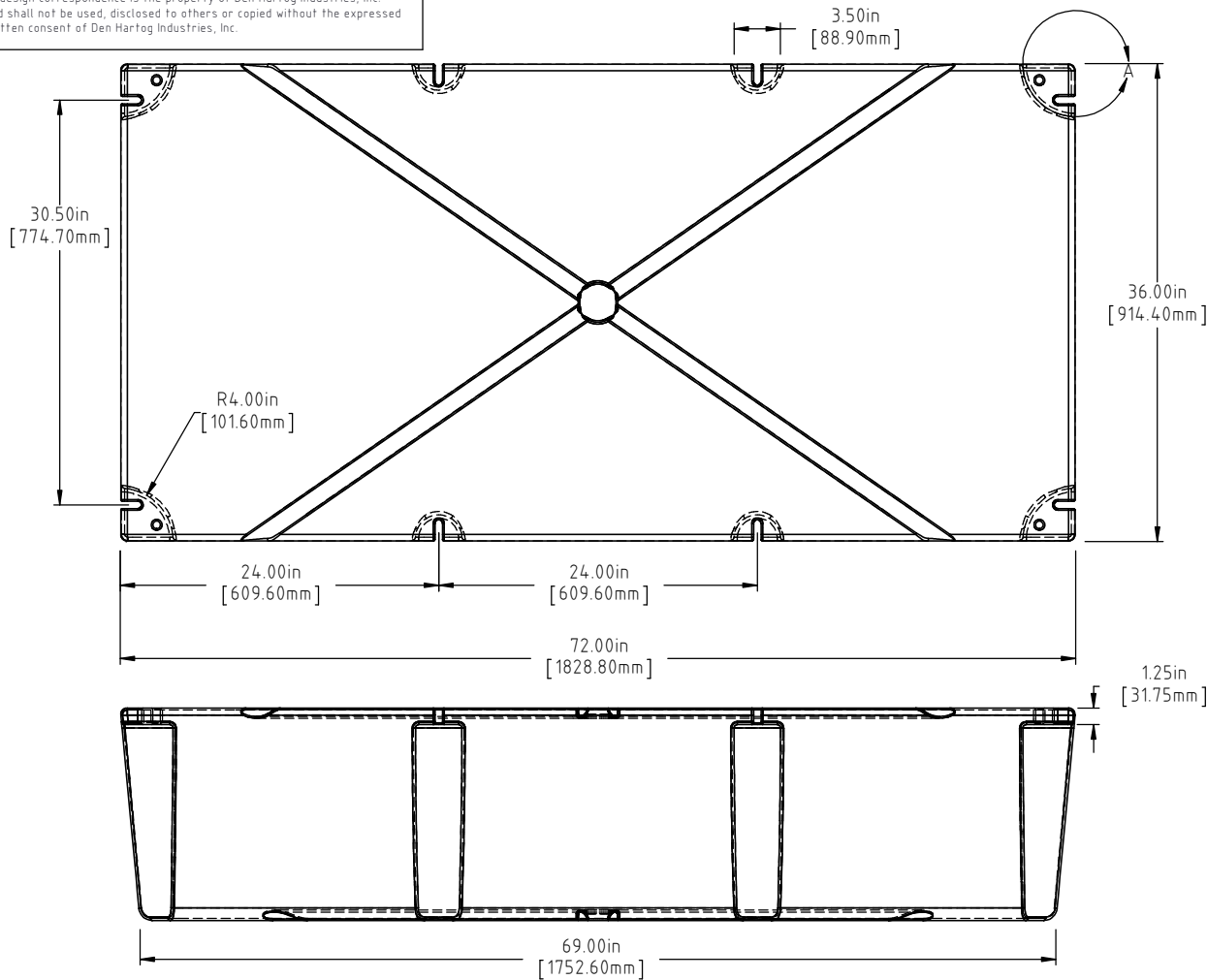


Copyright. All information furnished within this document, electronic file or design correspondence is the property of Den Hartog industries, Inc. and shall not be used, disclosed to others or copied without the expressed written consent of Den Hartog Industries, Inc.



C	78 LBS WAS 76 LBS, 1313 LBS WAS 1320 LBS	ADH 6/22/12	2420
B	METRIC DIMENSIONS ADDED	ADH 6/17/08	1685
A	ADD BUOYANCY NOTE	GWC 1/9/07	
A	CHANGE WEIGHT AF WAS 49 FF WAS 80	GWC 1/9/07	
2	NEW DIM	1/4/95	
1	CHANGE WEIGHTS	1/4/95	
REV	DESCRIPTION	BY / DATE	CCN

DRAWN / DATE	MATERIAL
DEAN 10/19/93	POLYETHYLENE
APPRD. / DATE	
ADH 11/5/07	

Ⓐ Ⓒ
NOTE: BUOYANCY 1313.00 LBS.(595.57 KG.)

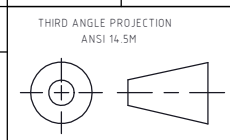


Den Hartog
INDUSTRIES, INC.

Acro Roto-Mold Injection Molding Blow Molding Sowjoy

4010 HOSPERS DRIVE S. BOX 425, HOSPERS, IOWA 51238-0425

ALL DIMENSIONS ARE IN DECIMAL INCHES
TOLERANCES UNLESS OTHERWISE SPECIFIED
POLYETHYLENE
±1% @ 68°F



SHOT WEIGHT:
53 LBS.(24.04 KG.)
SHIPPING WEIGHT:
SEE NOTES
FINISH:

NOTES: Ⓐ Ⓒ
1.) AF 53 LBS.(24.04 KG.)
2.) FF 78 LBS.(35.38 KG.)
3.) 0.150in (3.81mm) NOM. WALL

DESCRIPTION	36 X 72 X 16 FLOAT	
SCALE	N.S.	PART NO. 3672-16