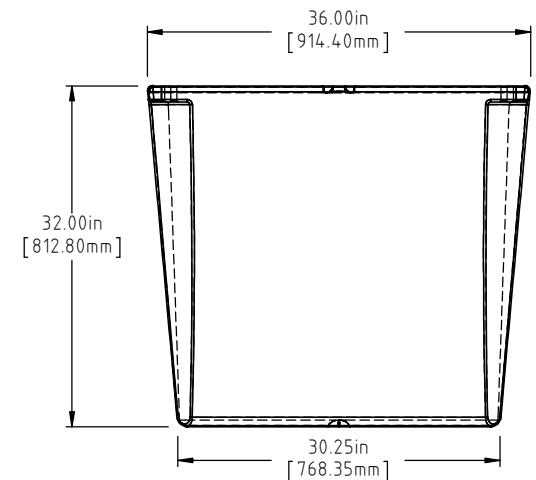
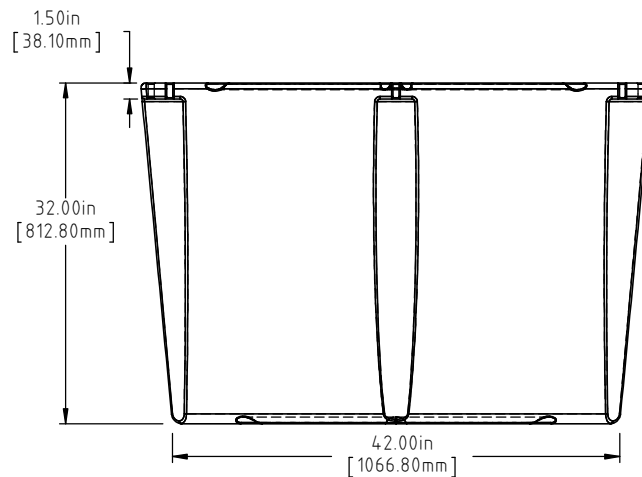
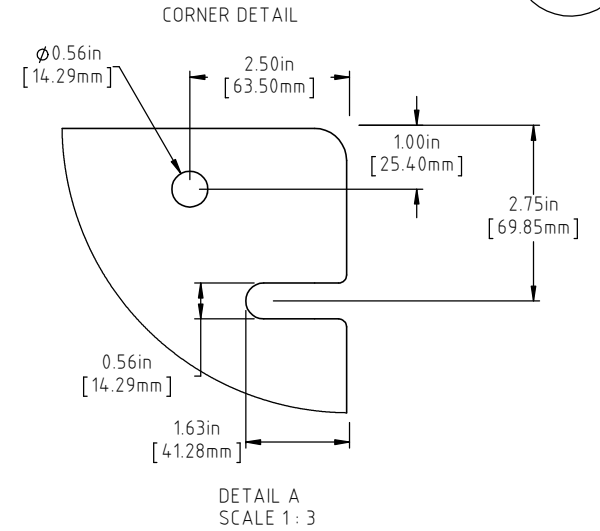
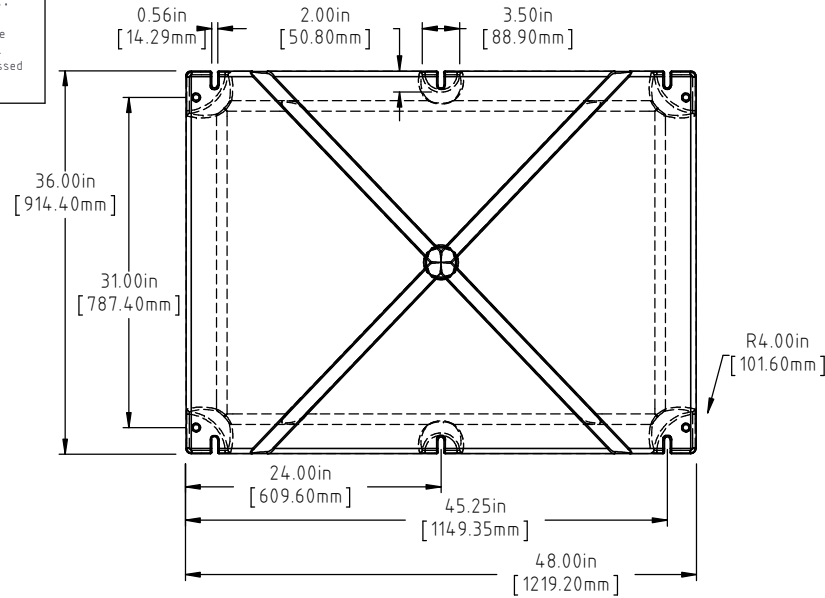


Copyright. All information furnished within this document, electronic file or design correspondence is the property of Den Hartog industries, Inc. and shall not be used, disclosed to others or copied without the expressed written consent of Den Hartog Industries, Inc.



(A)(C)

NOTE: BUOYANCY IS 1644 LBS.(745.71 KG)

C	82 LBS WAS 88 LBS, 1644 LBS WAS 1609 LBS	ADH 6/21/12	2420		
B	METRIC DIMENSIONS ADDED	ADH 6/17/08	1685	DRAWN / DATE	MATERIAL
A	ADD BUOYANCY NOTE	GWC 1/8/07		REH 1/5/01	POLYETHYLENE
A	CHANGE WEIGHTS AF WAS 53 FF WAS 80	GWC 1/8/07		APPRD. / DATE	
REV	DESCRIPTION	BY / DATE	CCN	ADH 11/5/07	
ALL DIMENSIONS ARE IN DECIMAL INCHES TOLERANCES UNLESS OTHERWISE SPECIFIED		THIRD ANGLE PROJECTION ANSI 14.5M		SHOT WEIGHT: 52 LBS.(23.59 KG.)	NOTES: (A)(C) 1.) AF 52 LBS.(23.59 KG.) 2.) FF 82 LBS.(37.19 KG.) 3.) 0.175in(4.45mm) NOM. WALL
POLYETHYLENE		METAL DECIMAL ± .125" FRACTION ± 1/4" ANGLE ± 1°		SHIPPING WEIGHT: SEE NOTES	
±1% @ 68°F				FINISH:	



**Den Hartog**  
INDUSTRIES, INC.

Acra Roto-Mold Injection Molding Blow Molding Sowjoy

4010 HOSPERS DRIVE S. BOX 425, HOSPERS, IOWA 51238-0425

DESCRIPTION		36 X 48 X 32 FLOAT	
SCALE	N.S.	PART NO.	3648-32