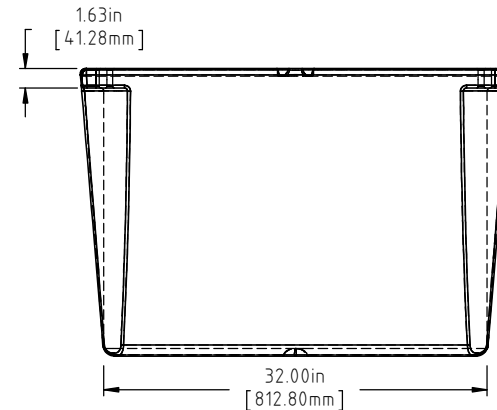
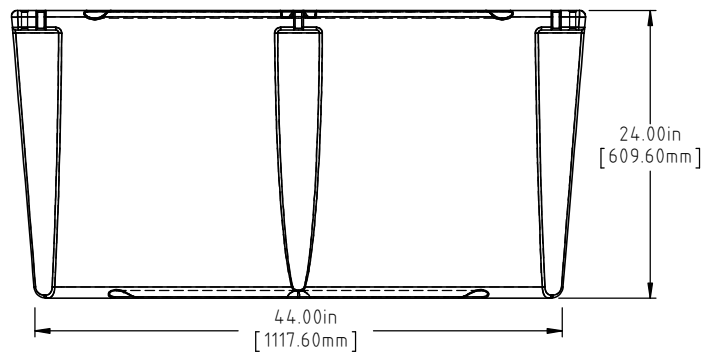
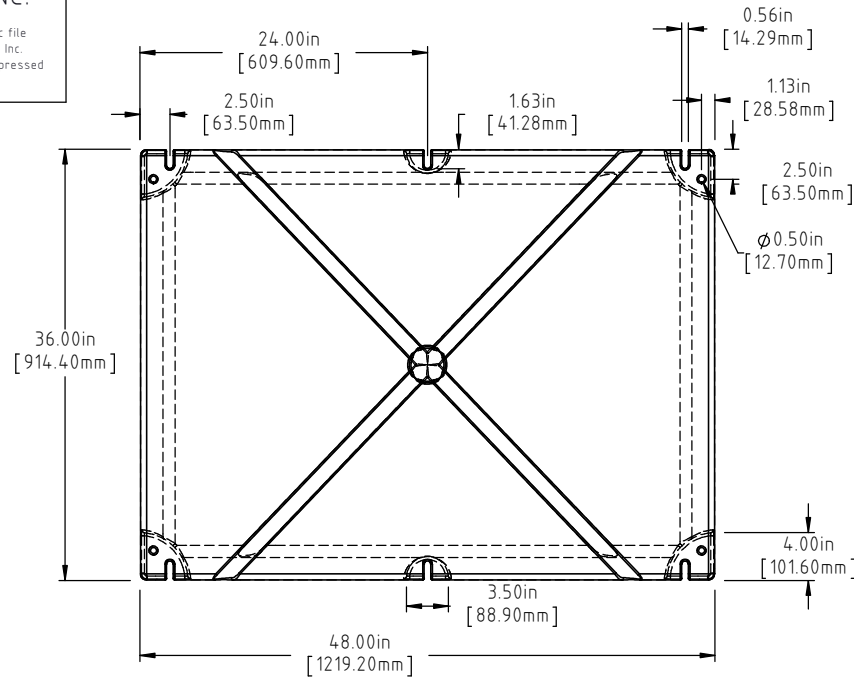


Copyright. All information furnished within this document, electronic file or design correspondence is the property of Den Hartog industries, Inc. and shall not be used, disclosed to others or copied without the expressed written consent of Den Hartog Industries, Inc.



(A)(C)

NOTE: BUOYANCY IS 1280 LBS.(580.60 KG)

C	66 LBS WAS 64 LBS, 1280 LBS WAS 1270 LBS	ADH 6/21/12	2420		
B	METRIC DIMENSIONS ADDED	ADH 6/16/08	1685	DRAWN / DATE DHJ 3/10/98	MATERIAL POLYETHYLENE
A	ADD BUOYANCY NOTE	GWC 1/8/07		APPRD. / DATE ADH 6/17/08	
A	CHANGE WEIGHTS FF WAS 74	GWC 1/8/07			
REV	DESCRIPTION	BY / DATE	CCN		
ALL DIMENSIONS ARE IN DECIMAL INCHES TOLERANCES UNLESS OTHERWISE SPECIFIED		THIRD ANGLE PROJECTION ANSI 14.5M		SHOT WEIGHT: 42 LBS.(19.05 KG.)	NOTES: (A)(C) 1.) AF 42 LBS.(19.05 KG.) 2.) FF 66 LBS.(29.94 KG.) 3.) 0.150 IN (3.81 mm) NOM. WALL
POLYETHYLENE		METAL DECIMAL ± .125" FRACTION ± 1/4" ANGLE ± 1°		SHIPPING WEIGHT: SEE NOTES	
±1% @ 68°F				FINISH:	



Den Hartog
INDUSTRIES, INC.

Acro Roto-Mold Injection Molding Blow Molding Blow-Joy

4010 HOSPERS DRIVE S. BOX 425, HOSPERS, IOWA 51238-0425

DESCRIPTION 36 X 48 X 24 FLOAT	
SCALE N.S.	PART NO. 3648-24