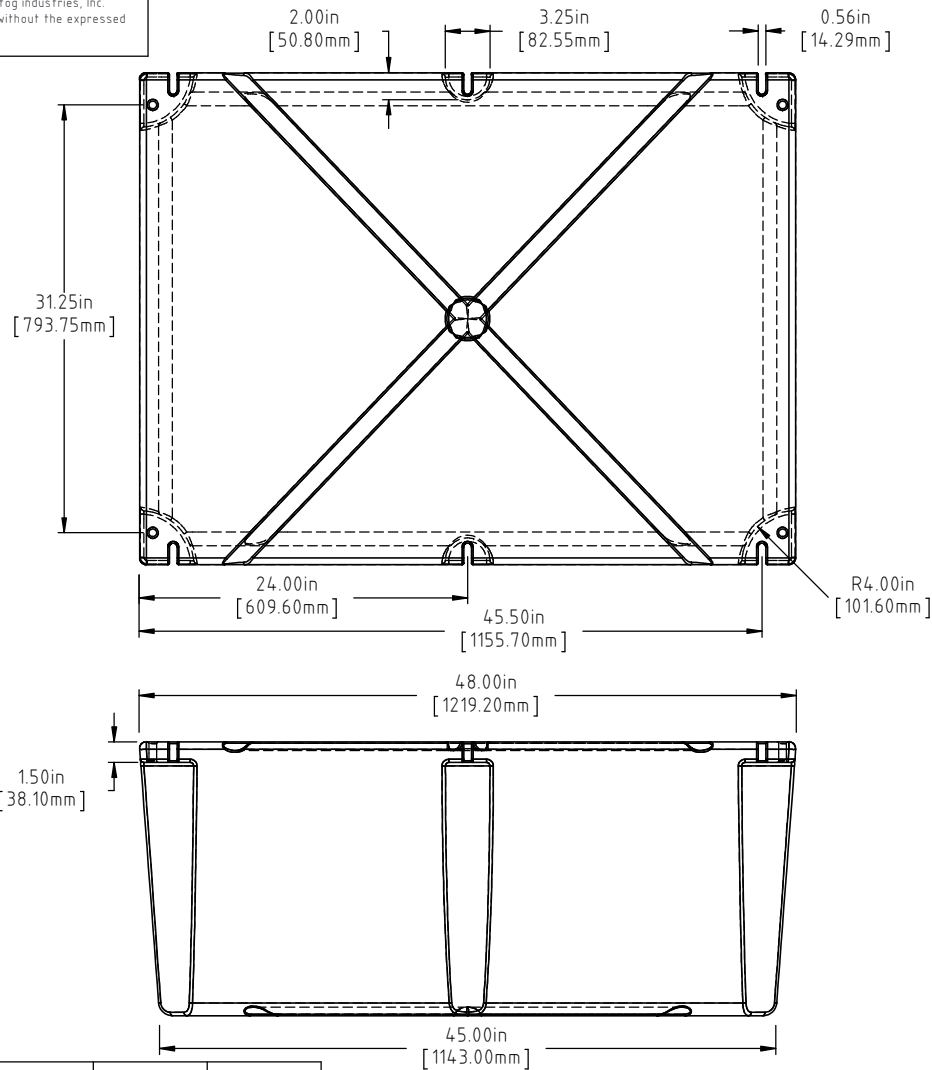
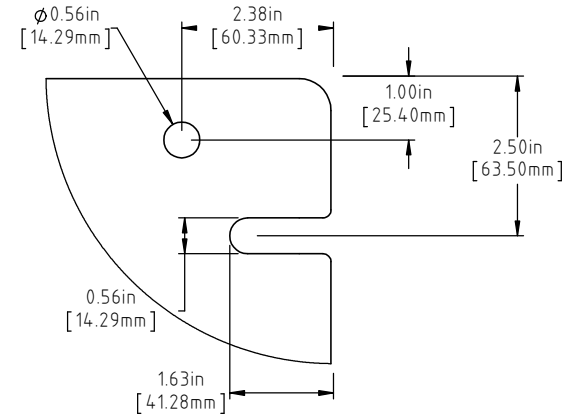


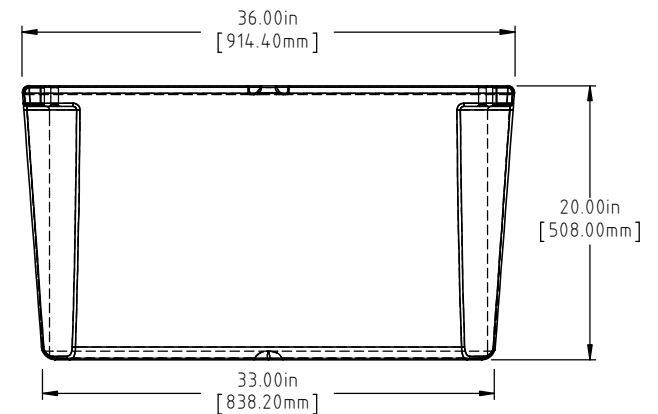
Copyright. All information furnished within this document, electronic file or design correspondence is the property of Den Hartog industries, Inc. and shall not be used, disclosed to others or copied without the expressed written consent of Den Hartog Industries, Inc.



CORNER DETAIL



DETAIL A  
SCALE 1: 3




Ⓐ Ⓒ

NOTE: BUOYANCY IS 1088 LBS.(493.51 KG)

C	62 LBS WAS 59 LBS, 1088 LBS WAS 1066 LBS	ADH 6/21/12	2420
B	METRIC DIMENSIONS ADDED	ADH 6/6/08	1685
A	ADD BUOYANCY NOTE	GWC 1/8/07	
A	CHANGE WEIGHTS AF WAS 37 FF WAS 66	GWC 1/8/07	
1	CHANGE WEIGHTS	11/18/94	
REV	DESCRIPTION	BY / DATE	CCN

DRAWN / DATE DHJ 4/4/94	MATERIAL  POLYETHYLENE
APPRD. / DATE ADH 11/5/07	
SHOT WEIGHT: 40 LBS.(18.14 KG.)	
SHIPPING WEIGHT: SEE NOTES	NOTES: Ⓐ Ⓒ 1.) AF 40 LBS.(18.14 KG.) 2.) FF 62 LBS.(28.12 KG.) 3.) 0.150 IN (3.81 mm) NOM. WALL
FINISH:	



**Den Hartog**  
INDUSTRIES, INC.

*Acra Roto-Mold Injection Molding Blow Molding Sowjoy*

4010 HOSPERS DRIVE S. BOX 425, HOSPERS, IOWA 51238-0425

DESCRIPTION 36 X 48 X 20 FLOAT	
SCALE N.S.	PART NO. 3648-20

ALL DIMENSIONS ARE IN DECIMAL INCHES TOLERANCES UNLESS OTHERWISE SPECIFIED	
POLYETHYLENE ±1% @ 68°F	METAL DECIMAL ± .125" FRACTION ± 1/4" ANGLE ± 1°

