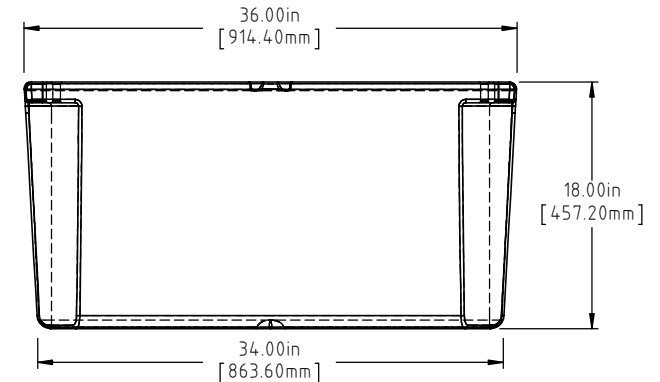
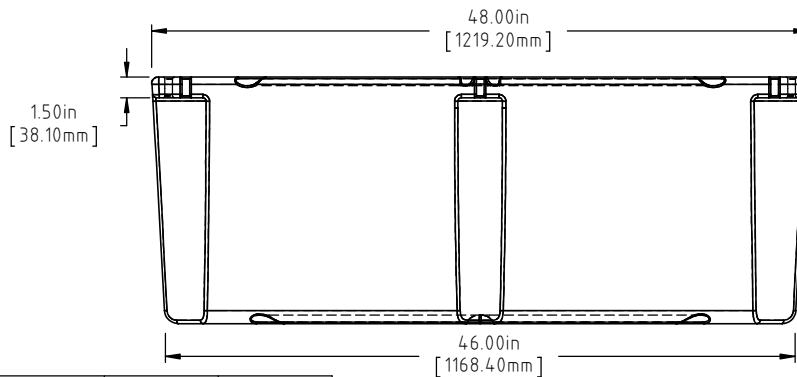
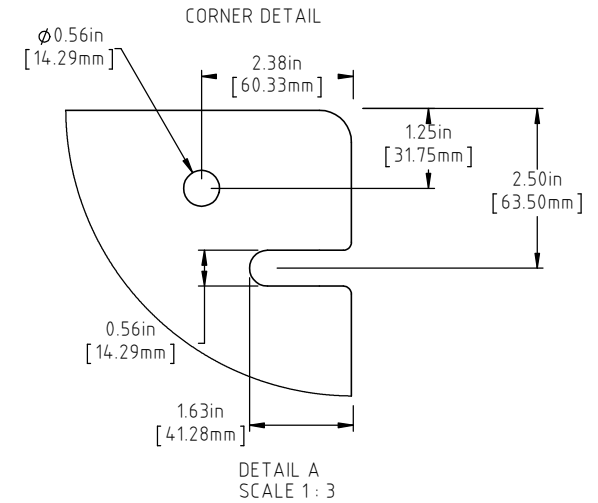
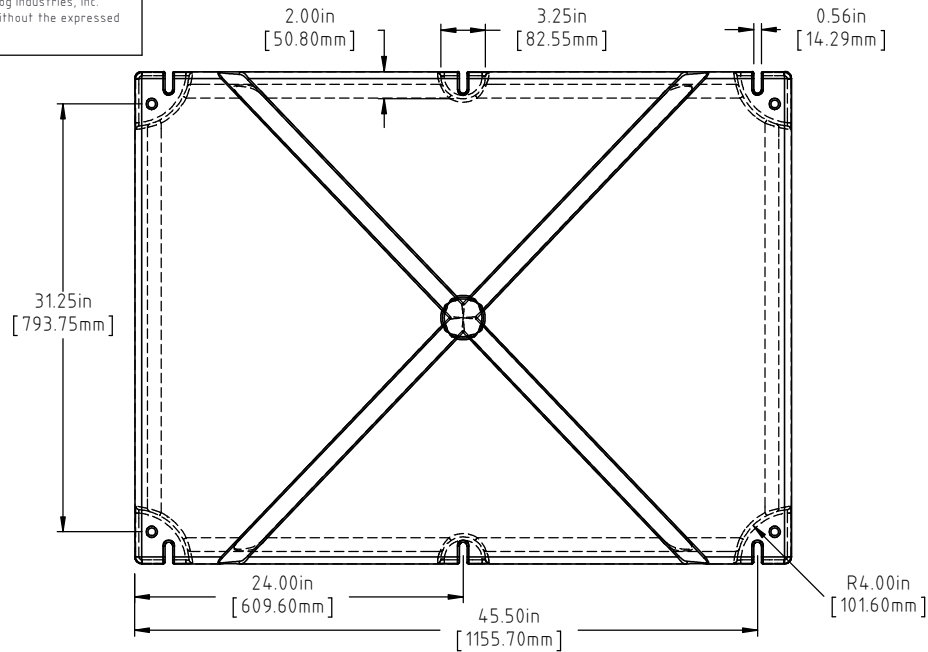


Copyright. All information furnished within this document, electronic file or design correspondence is the property of Den Hartog industries, Inc. and shall not be used, disclosed to others or copied without the expressed written consent of Den Hartog Industries, Inc.

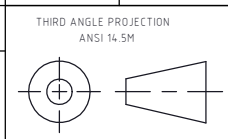


NOTE: BUOYANCY IS 990 LBS.(449.06 KG)

C	54 LBS WAS 52 LBS, 990 LBS WAS 982 LBS	ADH 6/21/12	2420
B	METRIC DIMENSIONS ADDED	ADH 2/16/08	1685
A	ADD BUOYANCY NOTE	GWC 1/8/07	
A	CHANGE WEIGHTS FF WAS 60	GWC 1/8/07	
1	CHANGE WEIGHTS	11/18/94	
REV	DESCRIPTION	BY / DATE	CCN


DRAWN / DATE	MATERIAL
REH 11/12/02	POLYETHYLENE
APPRD. / DATE	
ADH 11/5/07	

ALL DIMENSIONS ARE IN DECIMAL INCHES TOLERANCES UNLESS OTHERWISE SPECIFIED  
 POLYETHYLENE  
 ±1% @ 68°F



SHOT WEIGHT: 35 LBS.(15.88 KG.)  
 SHIPPING WEIGHT: SEE NOTES  
 FINISH:

NOTES: (A)  
 1.) AF 35 LBS.(15.88 KG.)  
 2.) FF 54 LBS.(24.49 KG.)  
 3.) 0.125 IN (3.18 mm) NOM. WALL



**Den Hartog**  
INDUSTRIES, INC.

Acro Roto-Mold Injection Molding Blow Molding Sowjoy

4010 HOSPERS DRIVE S. BOX 425, HOSPERS, IOWA 51238-0425

DESCRIPTION		36 X 48 X 18 FLOAT	
SCALE	N.S.	PART NO.	3648-18