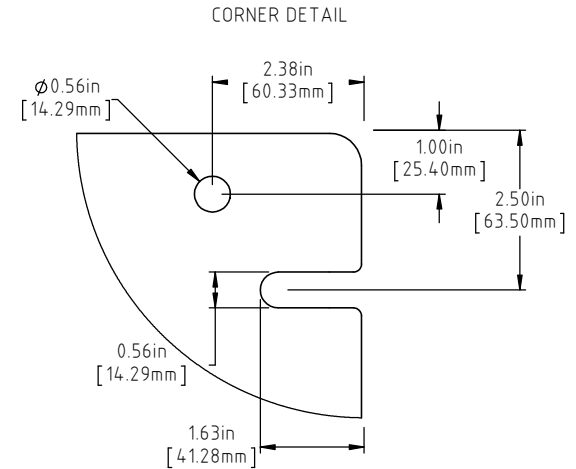
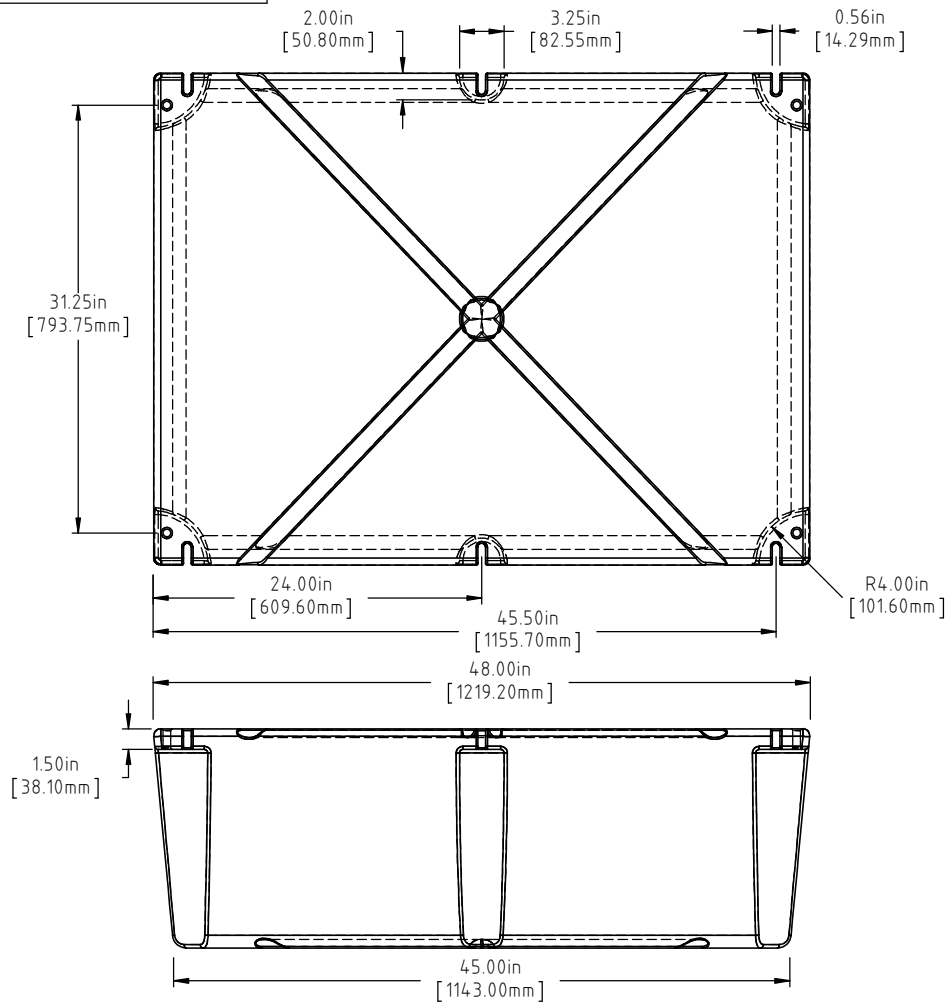
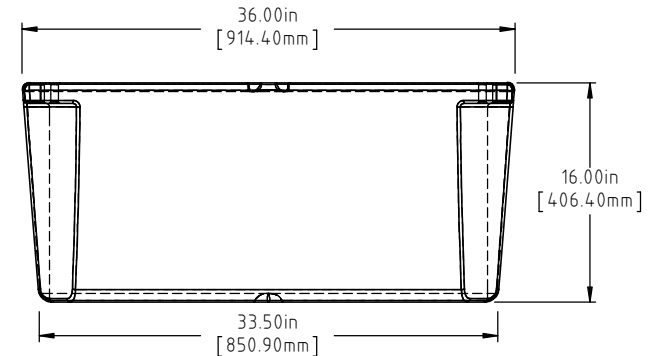


Copyright. All information furnished within this document, electronic file or design correspondence is the property of Den Hartog industries, Inc. and shall not be used, disclosed to others or copied without the expressed written consent of Den Hartog Industries, Inc.




DETAIL A
SCALE 1: 3



NOTE: BUOYANCY IS 874 LBS.(396.44 KG)

C	874 LBS WAS 656 LBS	ADH 6/21/12	2420		
B	METRIC DIMENSIONS ADDED	ADH 6/16/08	1685		
A	ADD BUOYANCY NOTE	GWC 1/8/07		DRAWN / DATE	MATERIAL POLYETHYLENE
A	CHANGE WEIGHTS AF WAS 33 FF WAS 54	GWC 1/8/07		DHJ 3/15/94	
1	CHANGE WEIGHTS	11/18/94		APPRD. / DATE	
REV	DESCRIPTION	BY / DATE	CCN	ADH 11/5/07	
ALL DIMENSIONS ARE IN DECIMAL INCHES TOLERANCES UNLESS OTHERWISE SPECIFIED		THIRD ANGLE PROJECTION ANSI 14.5M		SHOT WEIGHT: 36 LBS.(16.33 KG.)	NOTES: (A) 1.) AF 36 LBS.(16.33 KG.) 2.) FF 51 LBS.(23.13 KG.) 3.) 0.150 IN (3.81 mm) NOM. WALL
POLYETHYLENE		METAL DECIMAL ± .125" FRACTION ± 1/4" ANGLE ± 1°		SHIPPING WEIGHT: SEE NOTES	
±1% @ 68°F				FINISH:	



Den Hartog
INDUSTRIES, INC.

Acro Roto-Mold Injection Molding Blow Molding Sowjoy

4010 HOSPERS DRIVE S. BOX 425, HOSPERS, IOWA 51238-0425

DESCRIPTION 36 X 48 X 16 FLOAT	
SCALE N.S.	PART NO. 3648-16