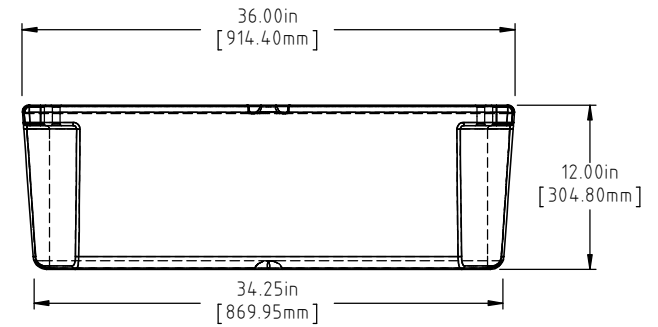
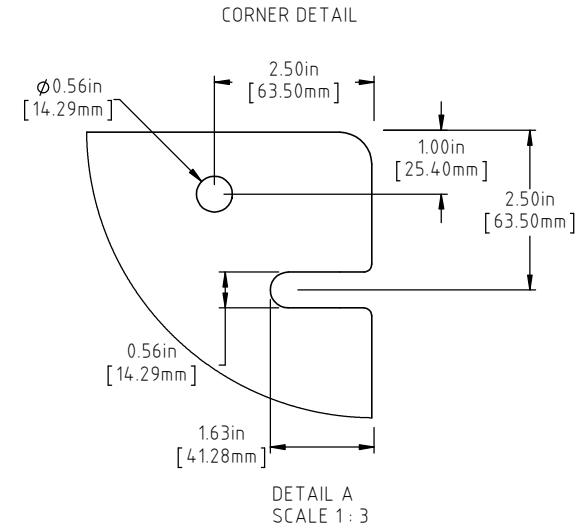
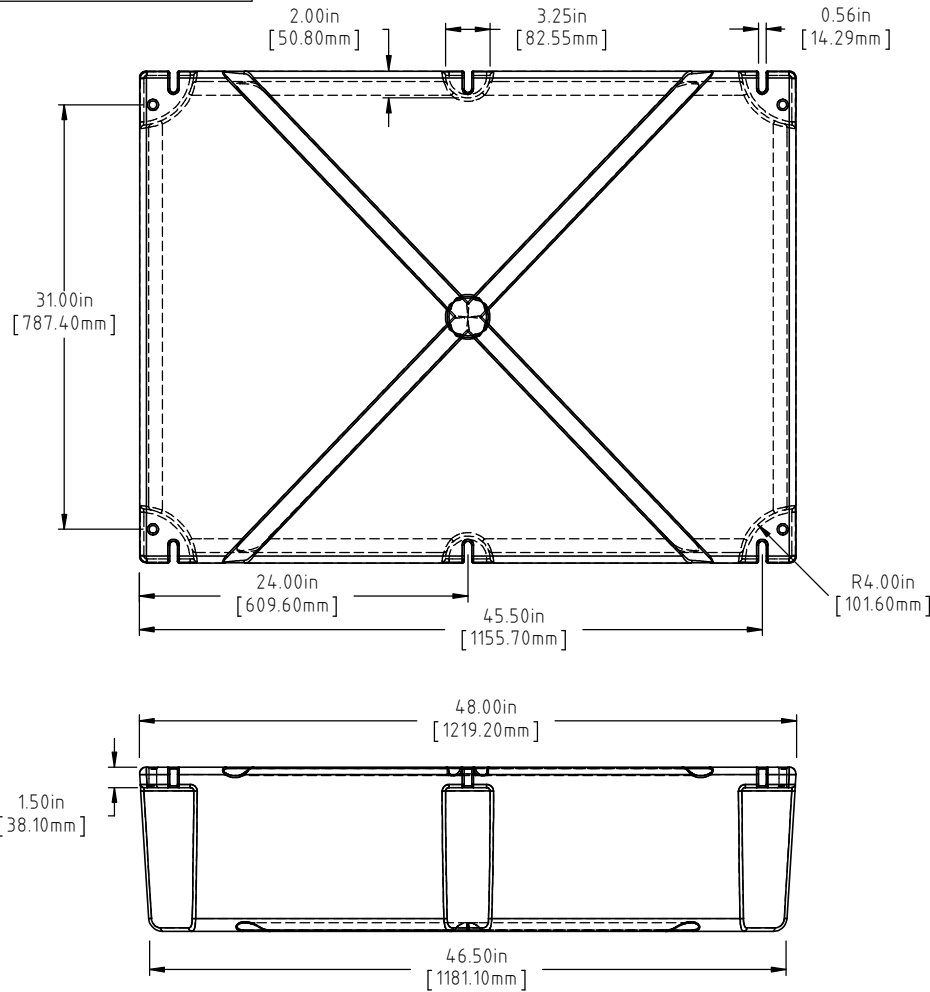


Copyright. All information furnished within this document, electronic file or design correspondence is the property of Den Hartog industries, Inc. and shall not be used, disclosed to others or copied without the expressed written consent of Den Hartog Industries, Inc.



Ⓐ Ⓒ

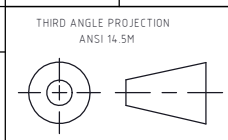
NOTE: BUOYANCY IS 650 LBS.(294.84 KG)

| | | | |
|-----|--|-------------|------|
| C | 45 LBS WAS 43 LBS, 650 LBS WAS 656 LBS | ADH 6/20/12 | 2420 |
| B | METRIC DIMENSIONS ADDED | ADH 6/16/08 | 1685 |
| A | ADD BUOYANCY NOTE | GWC 1/8/07 | |
| A | CHANGE WEIGHTS AF WAS 29 FF WAS 44 | GWC 1/8/07 | |
| 1 | CHANGE WEIGHTS | 11/18/94 | |
| REV | DESCRIPTION | BY / DATE | CCN |

| | |
|---------------|--------------|
| DRAWN / DATE | MATERIAL |
| DEAN 2/24/94 | POLYETHYLENE |
| APPRD. / DATE | |
| ADH 11/5/07 | |


ALL DIMENSIONS ARE IN DECIMAL INCHES
TOLERANCES UNLESS OTHERWISE SPECIFIED

| | |
|--------------|---|
| POLYETHYLENE | METAL DECIMAL ± .125" FRACTION ± 1/4" ANGLE ± 1° |
| ±1% @ 68°F | |



SHOT WEIGHT: 32 LBS. (14.51 KG.)
SHIPPING WEIGHT: SEE NOTES
FINISH:

NOTES: Ⓐ Ⓒ
1.) AF 32 LBS. (14.51 KG.)
2.) FF 45 LBS. (20.41 KG.)
3.) 0.150 IN (3.81 mm) NOM. WALL



Den Hartog
INDUSTRIES, INC.

Acro Roto-Mold Injection Molding Blow Molding Sowjey

4010 HOSPERS DRIVE S. BOX 425, HOSPERS, IOWA 51238-0425

| | | | |
|-------------|------|--------------------|---------|
| DESCRIPTION | | 36 X 48 X 12 FLOAT | |
| SCALE | N.S. | PART NO. | 3648-12 |