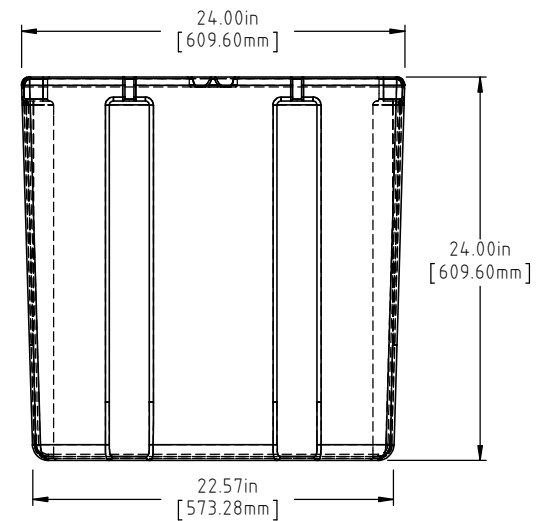
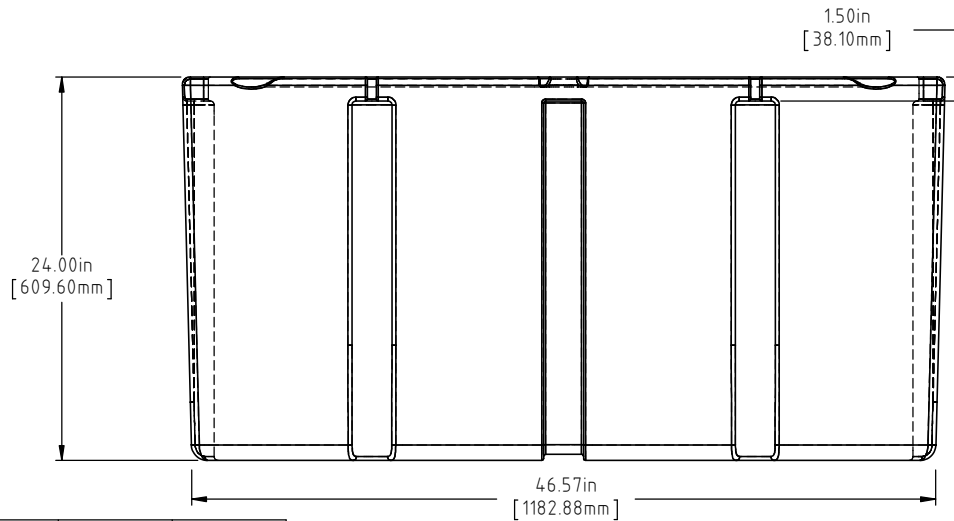
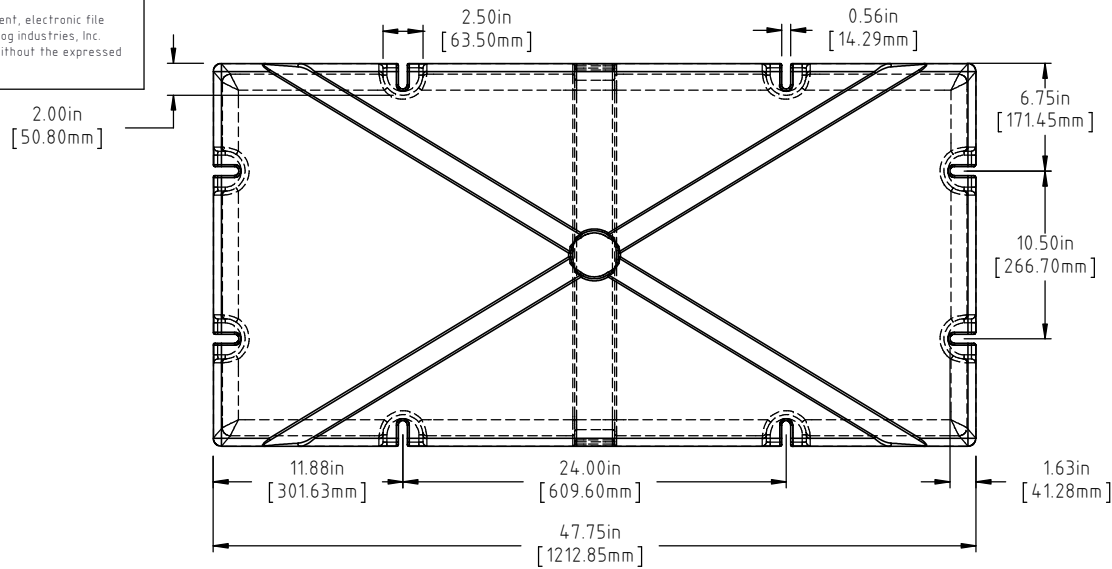


Copyright. All information furnished within this document, electronic file or design correspondence is the property of Den Hartog industries, Inc. and shall not be used, disclosed to others or copied without the expressed written consent of Den Hartog Industries, Inc.



NOTE: BUOYANCY IS 866 LBS.(392.81 KG)

C	50 LBS WAS 49 LBS, 866 LBS WAS 850 LBS	ADH 6/20/12	2420
B	METRIC DIMENSIONS ADDED	ADH 6/12/08	1685
A	ADD BUOYANCY NOTE	GWC 1/8/07	
A	CHANGE WEIGHTS FF WAS 50	GWC 1/8/07	
1	CHANGE WEIGHTS	11/16/94	
REV	DESCRIPTION	BY / DATE	CCN

DRAWN / DATE	MATERIAL
REH 11/23/99	POLYETHYLENE
APPRD. / DATE	
ADH 11/5/07	



Den Hartog
INDUSTRIES, INC.

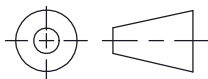
Acro Roto-Mold Injection Molding Blow Molding Sowjoy

4010 HOSPERS DRIVE S. BOX 425, HOSPERS, IOWA 51238-0425

ALL DIMENSIONS ARE IN DECIMAL INCHES
TOLERANCES UNLESS OTHERWISE SPECIFIED

POLYETHYLENE	METAL DECIMAL ± .125" FRACTION ± 1/4" ANGLE ± 1°
±1% @ 68°F	

THIRD ANGLE PROJECTION
ANSI 14.5M



SHOT WEIGHT:
35 LBS.(15.88 KG.)

SHIPPING WEIGHT:
SEE NOTES

FINISH:

NOTES: (A) (C)

- 1.) AF 35 LBS.(15.88 KG.)
- 2.) FF 50 LBS.(22.68 KG.)
- 3.) 0.150 IN (3.81 mm) NOM. WALL

DESCRIPTION	24 X 48 X 24 FLOAT	
SCALE	N.S.	PART NO. 2448-24