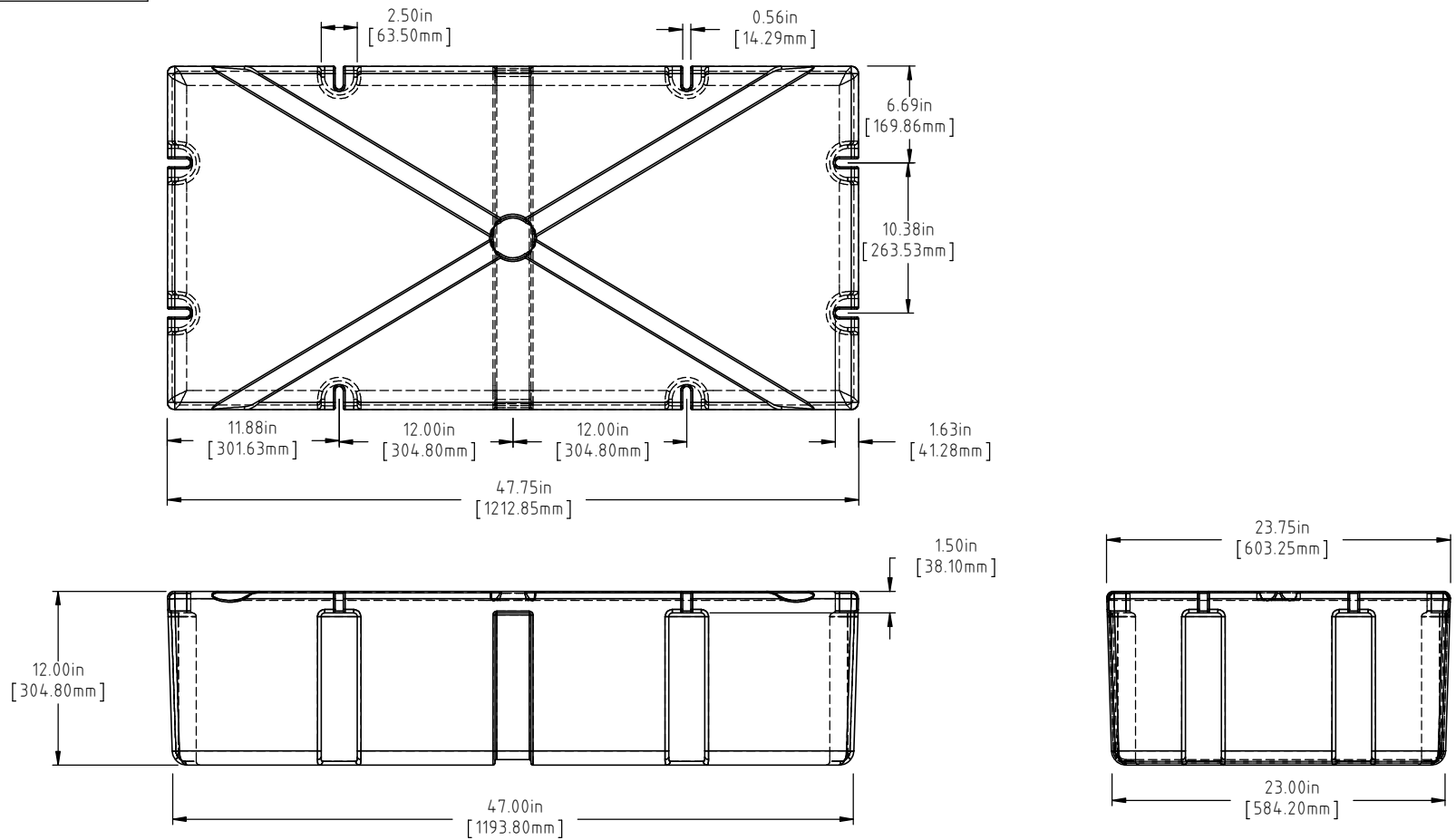


Copyright. All information furnished within this document, electronic file or design correspondence is the property of Den Hartog industries, Inc. and shall not be used, disclosed to others or copied without the expressed written consent of Den Hartog Industries, Inc.



E	33 LBS WAS 31 LBS	ADH 6/20/12	2420
D	METRIC DIMENSIONS ADDED	ADH 6/25/08	1685
C	ADD BUOYANCY NOTE	GWC 1/8/07	
C	CHANGE WEIGHTS AF WAS 22 FF WAS 36	GWC 1/8/07	
B	CHANGED NOM. WALL	12-20-98	
A	CHANGE WEIGHTS	11/16/94	
REV	DESCRIPTION	BY / DATE	CCN

DRAWN / DATE	MATERIAL
DEAN 2/24/94	POLYETHYLENE
APPRD. / DATE	
ADH 11/5/07	

NOTE: BUOYANCY IS 433 LBS.(196.41 KG)



**Den Hartog**  
INDUSTRIES, INC.

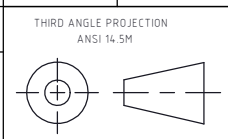
Acro Roto-Mold Injection Molding Blow Molding Sowjoy  
4010 HOSPERS DRIVE S. BOX 425, HOSPERS, IOWA 51238-0425

ALL DIMENSIONS ARE IN DECIMAL INCHES  
TOLERANCES UNLESS OTHERWISE SPECIFIED

POLYETHYLENE

METAL  
DECIMAL ± .125"  
FRACTION ± 1/4"  
ANGLE ± 1°

±1% @ 68°F



SHOT WEIGHT:  
23 LBS. (10.43 KG.)

SHIPPING WEIGHT:  
SEE NOTES

FINISH:

NOTES: **(B)(C)(E)**

- 1.) AF 23 LBS. (10.43 KG.)
- 2.) FF 33 LBS. (14.97 KG.)
- 3.) 0.150 IN (3.81 mm) NOM. WALL

DESCRIPTION	24 X 48 X 12 FLOAT	
SCALE	N.S.	PART NO. 2448-12