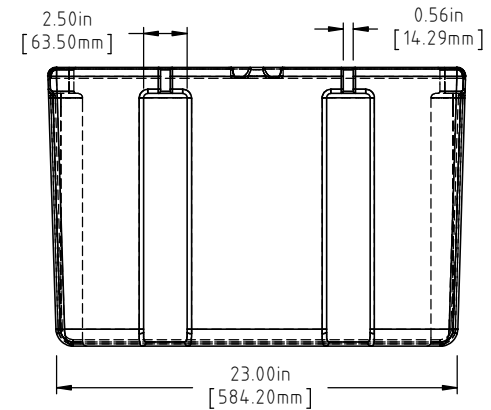
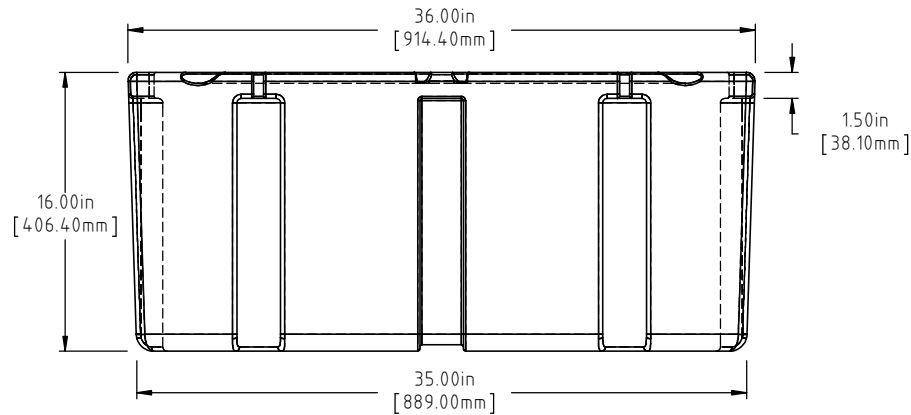
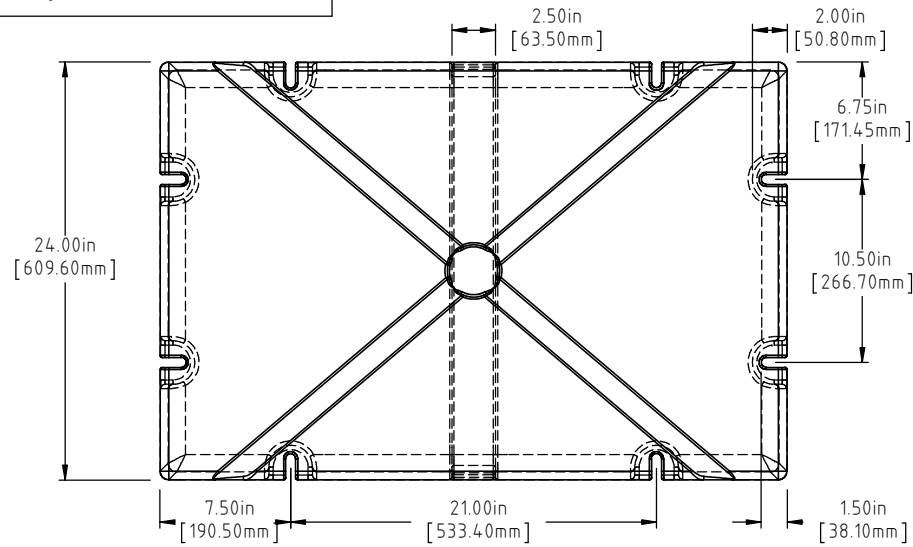


Copyright. All information furnished within this document, electronic file or design correspondence is the property of Den Hartog industries, Inc. and shall not be used, disclosed to others or copied without the expressed written consent of Den Hartog Industries, Inc.

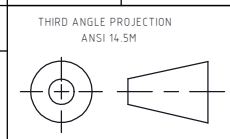


C	30 LBS WAS 29 LBS, 436 LBS WAS 424 LBS	ADH 6/18/12	2420
B	METRIC DIMENSIONS ADDED	ADH 6/12/08	1685
A	ADDED BUOYANCY	GWC 1/3/07	
A	CHANGE WEIGHT FF WAS 32	GWC 1/3/07	
1	CHANGE WEIGHT	11/16/94	
REV	DESCRIPTION	BY / DATE	CCN

DRAWN / DATE	MATERIAL
DEH 10/15/93	POLYETHYLENE
APPRD. / DATE	
ADH 11/5/07	

NOTE: BUOYANCY 436 LBS.(197.77 KG.)

ALL DIMENSIONS ARE IN DECIMAL INCHES TOLERANCES UNLESS OTHERWISE SPECIFIED
 POLYETHYLENE
 ±1% @ 68°F



SHOT WEIGHT: 21 LBS.(9.07 KG.)
 SHIPPING WEIGHT: SEE NOTES
 FINISH:

NOTES: (A) (C)
 1.) AF 21 LBS.(9.07 KG.)
 2.) FF 30 LBS.(13.61 KG.)
 3.) 0.150in (3.81mm) NOM. WALL



Den Hartog
INDUSTRIES, INC.

Acro Roto-Mold Injection Molding Blow Molding Sowjoy

4010 HOSPERS DRIVE S. BOX 425, HOSPERS, IOWA 51238-0425

DESCRIPTION	24 X 36 X 16 FLOAT	
SCALE	N.S.	PART NO. 2436-16