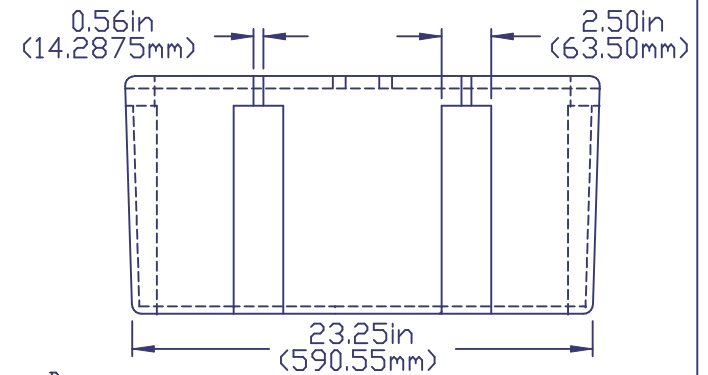
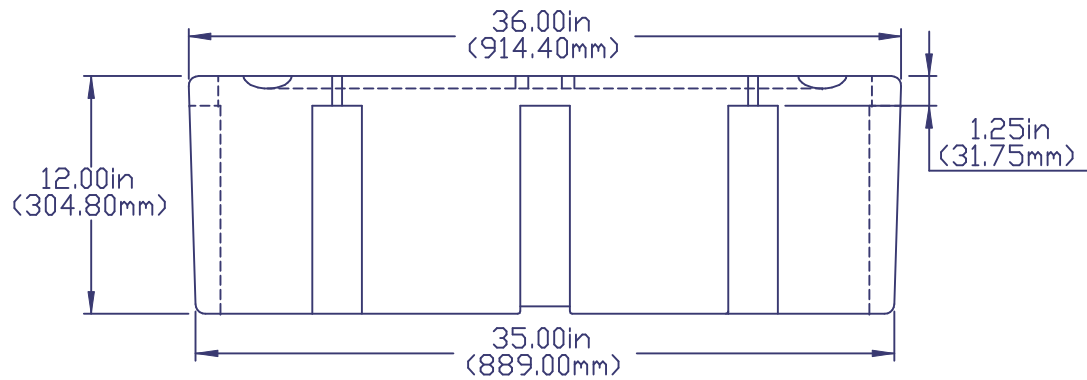
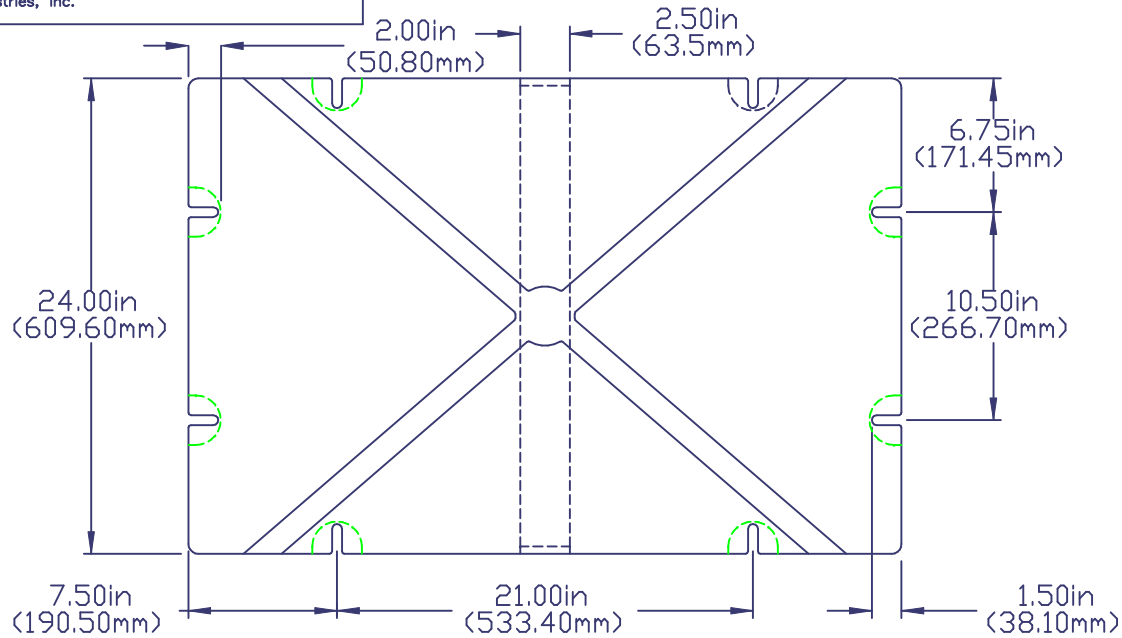


© DEN HARTOG INDUSTRIES, INC.

Copyright. All information furnished within this document, electronic file or design correspondence is the property of Den Hartog Industries, Inc. and shall not be used, disclosed to others or copied without the expressed written consent of Den Hartog Industries, Inc.

DWG NO. 2436-12

SH REV
C



^B NOTE: BUOYANCY 316 LBS.(143.34 KG.)

C	METRIC DIMENSIONS ADDED CCN 1685	5-11-08	ADH			
B	ADD BUOYANCY	12-5-06	GWC	DRAWN	DATE	MATERIAL
A	CHANGE WEIGHTS	12-5-06	GWC	DEAN	10-15-93	POLYETHYLENE
1	CHANGE WEIGHTS	11-16-94		APPROVED	DATE	0.150in (3.81mm) NOM. WALL
REV	DESCRIPTION	DATE	APV/D	ADH	11-5-07	
SCALE NONE				THIRD ANGLE PROJECTION		PART WEIGHT A
UNLESS DIMENSIONS ARE IN INCHES GENERAL TOLERANCES ±1% @ 68F° (20C°)						AF 20 LBS.(9.07 KG.)
						FF 26 LBS.(11.79 KG.)

ACE ROTO-MOLD

PART NO. 2436-12

SIZE A DWG NO. 2436-12

REV
C