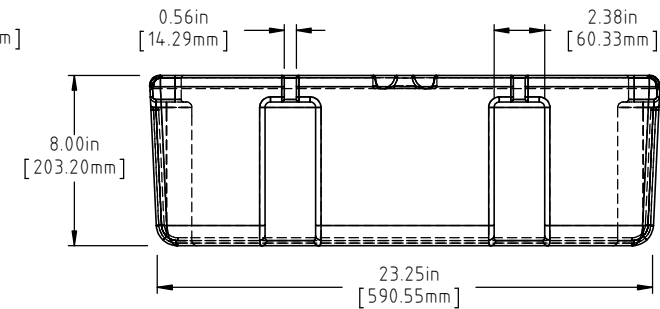
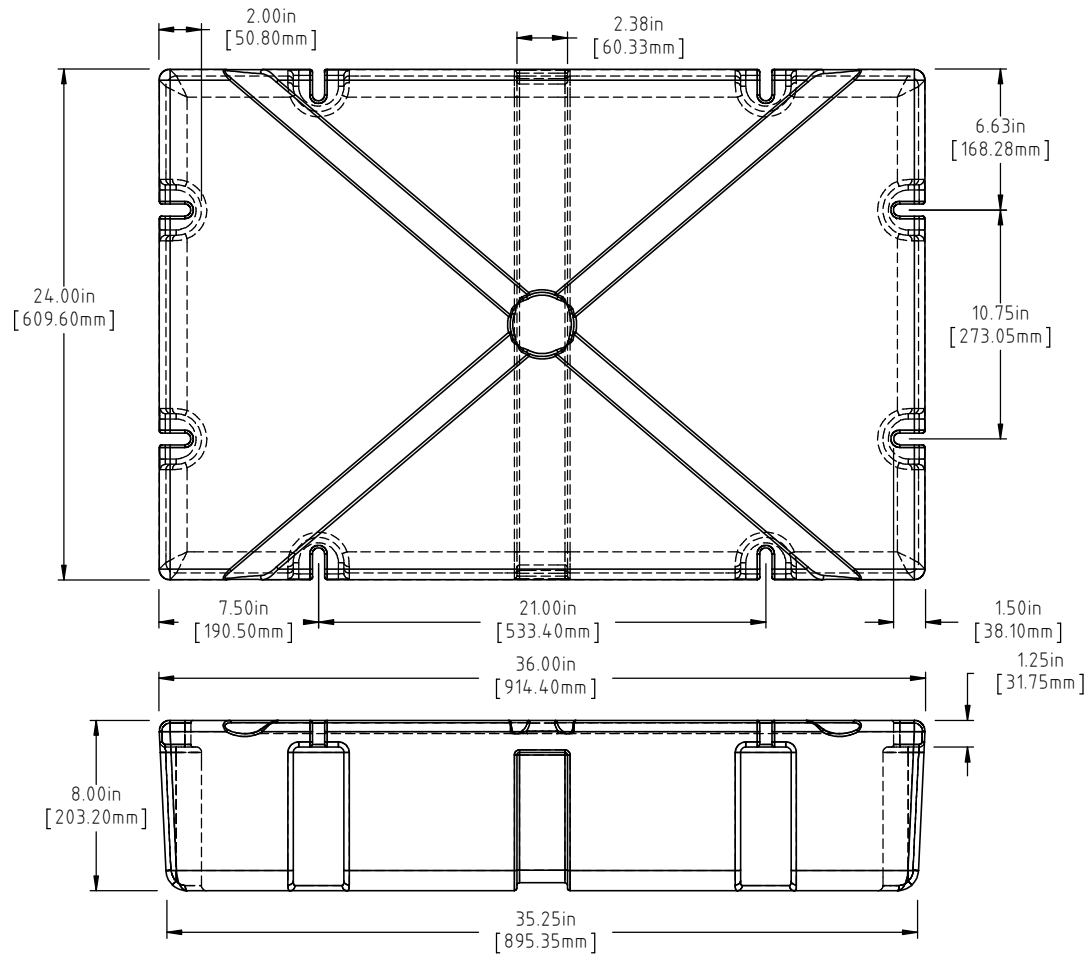


Copyright. All information furnished within this document, electronic file or design correspondence is the property of Den Hartog industries, Inc. and shall not be used, disclosed to others or copied without the expressed written consent of Den Hartog Industries, Inc.



D	21 LBS WAS 20 LBS, 211 LBS WAS 215 LBS	GWC 11/30/06	2420		
C	METRIC DIMENSIONS ADDED	ADH 7/1/08	1685	DRAWN / DATE REH 12/24/98	MATERIAL POLYETHYLENE
B	CHANGE WEIGHT	GWC 11/30/06		APPRD. / DATE ADH 11/5/07	
A	ADDED BUOYANCY	GWC 11/30/06			
REV	DESCRIPTION	BY / DATE	CCN		
ALL DIMENSIONS ARE IN DECIMAL INCHES TOLERANCES UNLESS OTHERWISE SPECIFIED		THIRD ANGLE PROJECTION ANSI 14.5M		SHOT WEIGHT: 16 LBS.(7.26 KG.)	NOTES: (B) (D) 1.) AF 16 LBS.(7.26 KG.) 2.) FF 21 LBS.(9.53KG.) 3.) 0.150in (3.81mm) NOM. WALL
POLYETHYLENE		METAL DECIMAL ± .125" FRACTION ± 1/4" ANGLE ± 1°		SHIPPING WEIGHT: SEE NOTES	
±1% @ 68°F				FINISH:	

(A) (D) NOTE: BUOYANCY 211 LBS.(95.71 KG.)



Den Hartog
INDUSTRIES, INC.

Acro Roto-Mold Injection Molding Blow Molding Sowjoy

4010 HOSPERS DRIVE S. BOX 425, HOSPERS, IOWA 51238-0425

DESCRIPTION	24 X 36 X 08 FLOAT	
SCALE	N.S.	PART NO. 2436-08