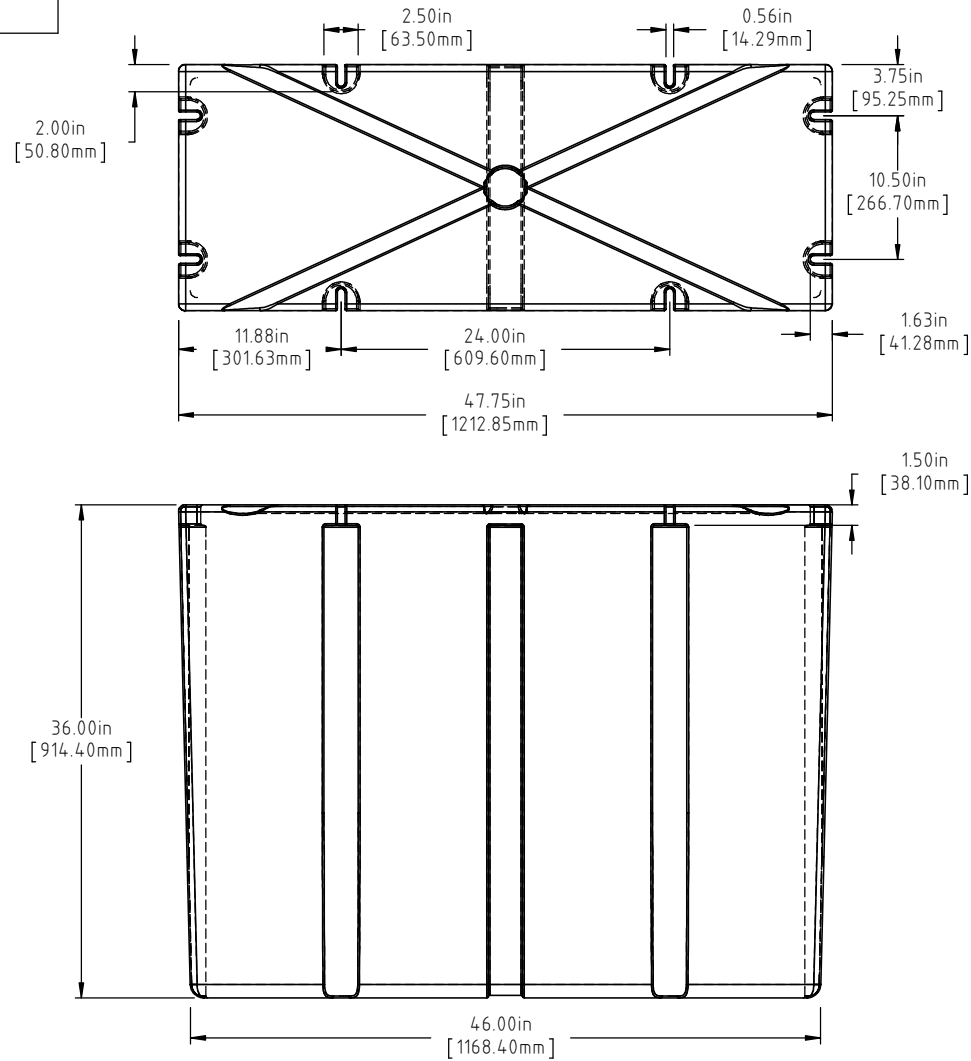


Copyright. All information furnished within this document, electronic file or design correspondence is the property of Den Hartog industries, Inc. and shall not be used, disclosed to others or copied without the expressed written consent of Den Hartog Industries, Inc.



ⓓ ⓐ NOTE: BUOYANCY 966 LBS.(438.17 KG.)

D	54 LBS WAS 53 LBS, 966 LBS WAS 920 LBS	ADH 6/18/12	2420		
C	METRIC DIMENSIONS ADDED	ADH 6/24/08	1685	DRAWN / DATE DHJ/7/6/05	MATERIAL POLYETHYLENE
B	CHANGE WEIGHTS	GWC 11-29-06		APPRD. / DATE ADH 11/2/07	
A	ADD BUOYANCY	GWC 11-29-06			
REV	DESCRIPTION	BY / DATE	CCN		
ALL DIMENSIONS ARE IN DECIMAL INCHES TOLERANCES UNLESS OTHERWISE SPECIFIED		THIRD ANGLE PROJECTION ANSI 14.5M		SHOT WEIGHT: 36.00 LBS.(16.33 KG.)	NOTES: ⓐ ⓓ 1.) AF 36 LBS.(16.33 KG.) 2.) FF 54 LBS.(24.49 KG.) 3.) 0.175in (4.45mm) NOM. WALL
POLYETHYLENE		METAL DECIMAL ± .125" FRACTION ± 1/4" ANGLE ± 1°		SHIPPING WEIGHT: SEE NOTES	
±1% @ 68°F				FINISH:	



Den Hartog
INDUSTRIES, INC.

Acra Roto-Mold Injection Molding Blow Molding Sowjoy

4010 HOSPERS DRIVE S. BOX 425, HOSPERS, IOWA 51238-0425

DESCRIPTION	18 x 48 x 36 FLOAT	
SCALE	N.S.	PART NO. 1848-36