
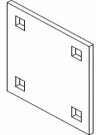
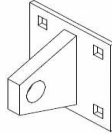
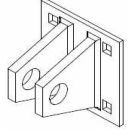
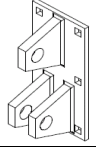
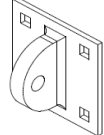

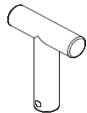
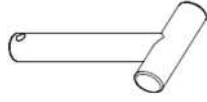

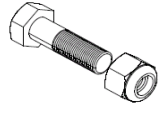
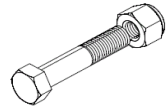
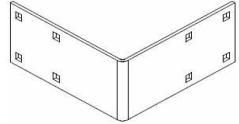
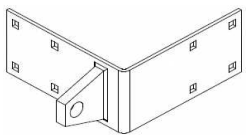
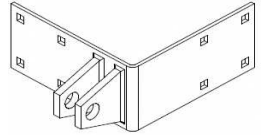
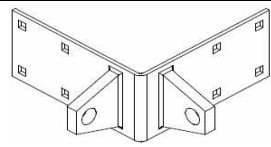
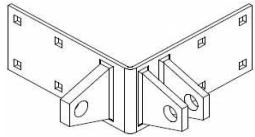
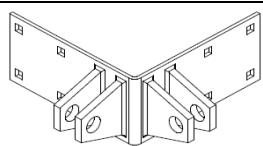
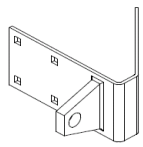
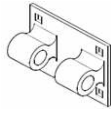
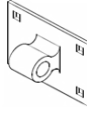
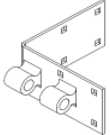
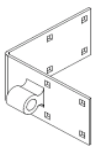
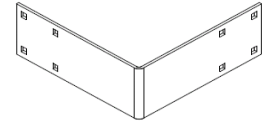
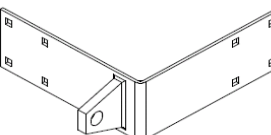
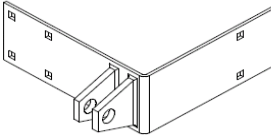
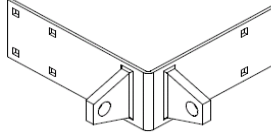
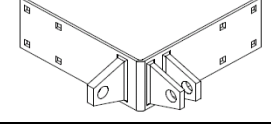
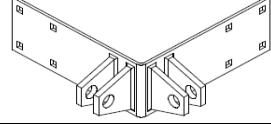

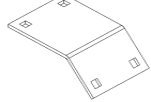
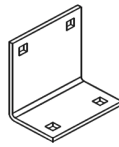
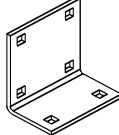
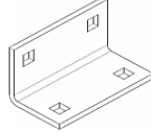
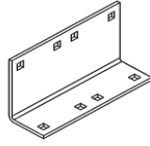
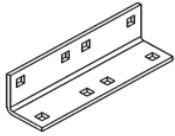

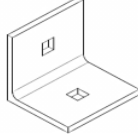
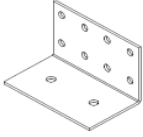
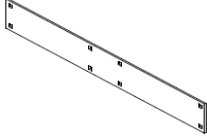
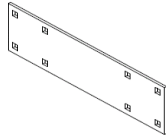
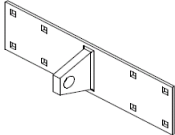
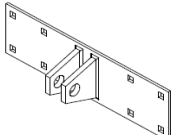
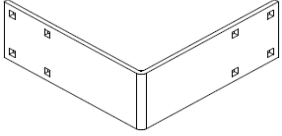
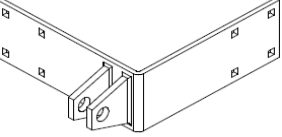
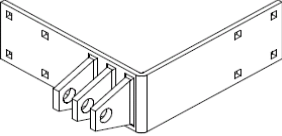
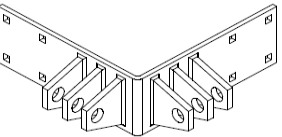
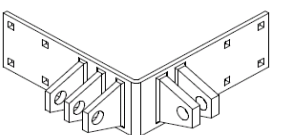
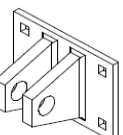
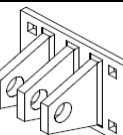
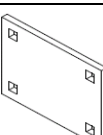
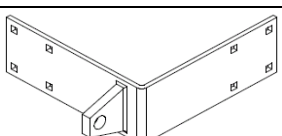
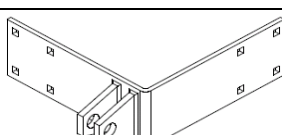



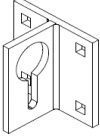
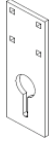
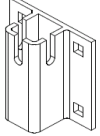
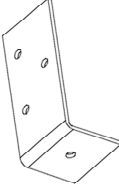
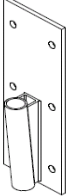

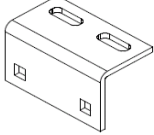
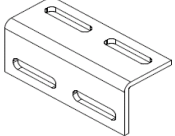
Part #	Description	Drawing
6H401	SMALL BACKER PLATE 1-1/2" x 5" x 1/4" .5 lbs	
6H402	BACKER PLATE 5" x 5" x 1/4" 1.8 lbs	
6H404	T-TAB PLATE 1 TAB (MALE) 5" x 5" x 1/4" x 3/4" THICK TAB 3.5 lbs	
6H405	T-TAB PLATE 2 TAB (FEMALE) 5" x 5" x 1/4" x 1/2" THICK TAB 4lbs	
6H417	NON PIVOT T-TAB (MALE-FEMALE) 5" x 10" x 1/4" 8 lbs	
DH-TM	T-TAB WITH ROUND EAR 3/4 HOLE 5" x 5" x 1/4" x 3/4" THICK TAB 3.5 lbs	
6H430	1" X 3-1/2" CONNECTING PIN KIT INCLUDES T-PIN,WASHER,LYNCH PIN	
6H430A	1" X 3-1/2" CONNECTING PIN 1.5 lbs	
6H498	1" x 5-1/2" CONNECTING PIN 2 lbs DESIGNED FOR THE 3/8" HARDWARE (2 TAB & 3 TAB)	
DH-TPIN	1" X 7-1/4" T-PIN DESIGNED FOR PIPE STYLE 2 lbs	
9H500	1" x 3-1/2" HINGE BOLT KIT GRADE 5 ZINC PLATED, WITH NYLOCK NUT	
9H600	1" x 5-1/2" HINGE BOLT KIT GRADE 5 ZINC PLATED, WITH NYLOCK NUT DESIGNED FOR THE 3/8" HARDWARE (2 TAB & 3 TAB)	

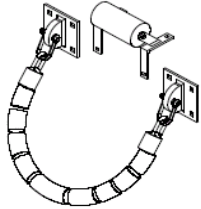
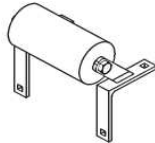
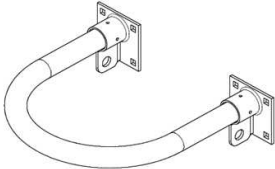
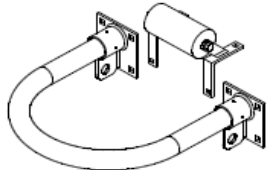
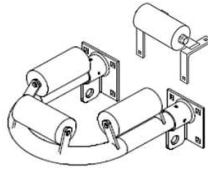
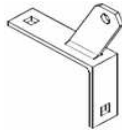
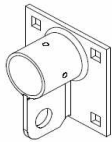

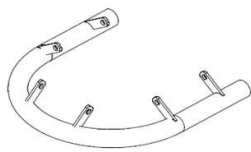
Part #	Description	Drawing
Standard 10" long corners listed below are designed for frames made of single 2x lumber (1-1/2" thick) or double 2x lumber (3" thick)		
6H406	CORNER (NO TABS) 10" x 10" x 1/4" 7.3 lbs	
6H407	CORNER HINGE 1 TAB (MALE) 10" x 10" x 1/4" x 3/4" THICK TAB 9 lbs	
6H408	CORNER HINGE 2TAB (FEMALE) 10" x 10" x 1/4" x 1/2" THICK TAB 9.5 lbs	
6H408T	CORNER HINGE 2TAB (MALE-MALE) 10" x 10" x 1/4" x 3/4" THICK TAB 10.7 lbs	
6H409	CORNER HINGE 3TAB (MALE-FEMALE) 10" x 10" x 1/4" 11.2 lbs	
6H410	CORNER HINGE 4TAB (FEMALE-FEMALE) 10" x 10" x 5" x 1/4" 11.8 lbs	
6H412	45° CORNER HINGE PLATE 1TAB 10" x 10" x 5" x 1/4" 9 lbs	
DH-PIPETF	PIPE T-TAB 2 TAB (FEMALE) 5" x 7" x 1/4" 6 lbs	
DH-PIPETM	PIPE T-TAB 1 TAB (MALE) 5" x 7" x 1/4" 6 lbs	
DHPIPE-F	PIPE CORNER 2 TAB (FEMALE) 10" x 10" x 5" x 1/4" 10 lbs	
DHPIPE-M	PIPE CORNER 1 TAB (MALE) 10" x 10" x 5" x 1/4" 10 lbs	

Part #	Description	Drawing
Extra long 13" corners listed below are designed for a nominal frame thickness of 5" (4x joist with a 2x skirtboard)		
6H406EH	EXTRA LONG CORNER (NO TAB) 13" x 13" x 5" x 1/4" 9.3 lbs	
6H407EH1	EXTRA LONG CORNER HINGE 1TAB (MALE) 13" x 13" x 5" x 1/4" 3/4" THICK TAB 10.6 lbs	
6H408EH2	EXTRA LONG CORNER HINGE 2TAB (FEMALE) 13" x 13" x 5" x 1/4" 1/2" THICK TAB 11 lbs	
6H408TEH	EXTRA LONG CORNER HINGE 2TAB (MALE-MALE) 13" x 13" x 5" x 1/4" 9.3 lbs	
6H409EH	EXTRA LONG CORNER HINGE 3TAB (MALE-FEMALE) 13" x 13" x 5" x 1/4" 9.25 lbs	
6H410EH	EXTRA LONG CORNER HINGE 4TAB (FEMALE-FEMALE) 13" x 13" x 5" x 1/4" 9.25 lbs	
DH-IN	INSIDE CORNER 8-1/2" x 8-1/2" x 5" x 1/4" 6.8 lbs	
6H413	45° STIFFENER PLATE 5" x 3" x 5" x 1/4" 3 lbs	
6H414	90° STIFFENER PLATE 5" x 3" x 5" x 1/4" 3 lbs	
6H418	90° SKID STIFFENER PLATE 5" x 3" x 5" x 1/4" 3 lbs	
6H414J	90° STIFFENER PLATE JR 3" x 3" x 5" x 1/4" 2 lbs	

Part #	Description	Dimensions	Weight	Drawing
6H415	PARALLAM JOIST STIFFENER	5" x 3" x 10" x 1/4"	6 lbs	
6H415J	PARALLAM JOIST STIFFENER JR.	3" x 3" x 10" x 1/4"	4 lbs	
HD-A	HEAVY DUTY JOIST STIFFENER	3" x 3" x 8" x 3/8"	5 lbs	
6H460	BEAM CLIP	3" x 3" x 3" x 1/4"	1.2 lbs	
6H461	HEAVY DUTY PIER STRINGER BRACKET	6" x 8" x 10" x 1/4"	7 lbs	
DH-SPBP	SPLICE PLATE LARGE	5" x 36" x 1/4"	21 lbs	
6H466	SPLICE PLATE 18"	5" x 18" x 1/4"	6 lbs	
6H467	SPLICE PLATE MALE 18"	5" x 18" x 1/4"	7 lbs	
6H468	SPLICE PLATE FEMALE 18"	5" x 18" x 1/4"	8 lbs	

Part #	Description	Weight	Dimensions	Weight	Drawing
Heavy duty extra long corners listed below are designed for extreme, rough site conditions and nominal 5" thick framing					
6H490	3/8" CORNER (NO TAB)	14 lbs	13" x 13" x 5" x 3/8"		
6H491	3/8" CORNER 2 TAB (MALE) (3/4THCK)	17 lbs	13" x 13" x 5" x 3/8"		
6H492	3/8" CORNER 3 TAB (FEMALE) (1/2THK)	17 lbs	13" x 13" x 5" x 3/8"		
6H495	3/8" CORNER 6 TAB (FEMALE-FEMALE)	21 lbs	13" x 13" x 5" x 3/8"		
6H501	3/8" CORNER 5 TAB (MALE-FEMALE)	21 lbs	13" x 13" x 5" x 3/8"		
6H493	3/8" T-TAB PLATE 2 TAB (MALE)	7 lbs	5" x 7" x 3/8"		
6H494	3/8" T-TAB PLATE 3 TAB (FEMALE)	7 lbs	5" x 7" x 3/8"		
6H496	BACKER PLATE	2 lbs	5" x 7" x 1/4"		
6H497	3/8" CORNER 1 TAB (MALE) (3/4THICK)	15 lbs	13" x 13" x 5" x 3/8"		
6H499	3/8" CORNER 2 TAB (FEMALE) (1/2THICK)	16 lbs	13" x 13" x 5" x 3/8"		

Part #	Description	Drawing
6013A	LIGHT DUTY CHAIN ANCHOR PLATE FOR 5/16" & 3/8" CHAIN 4" x 10" x 1/4" 2.5 lbs	
6H416	CHAIN ANCHOR T-PLATE FOR 3/8" & 1/2" CHAIN 5" x 5" x 3/8" 5 lbs	
DH-MDCR	MEDIUM DUTY CHAIN ANCHOR PLATE FOR 3/8" & 1/2" CHAIN 6" x 14" x 1/2" 10 lbs	
DH-CR	HEAVY DUTY CHAIN ANCHOR PLATE FOR 1/2" & 5/8" CHAIN 6" x 18" x 5/8" 18 lbs	
DH-SMCR	SHORT CHAIN RETAINER FOR CHAIN UP TO 3/8" 5" x 5" x 1/4" 4 lbs	
DH-CRLGSQ	LONG CHAIN RETAINER FOR CHAIN UP TO 3/8" 5" x 7" x 1/4" 13 lbs	
ANGLESS100	STAINLESS STEEL PIER LEG ANGLE 100° BEND 6" x 14" x 6" x 1/2" 25 lbs	
ANGLESS90	STAINLESS STEEL PIER LEG ANGLE 90° BEND 6" x 14" x 6" x 1/2" 25 lbs	
PIERLEGBRACK SS	STAINLESS STEEL PIER LEG PIPE BRACKET 6" x 16" x 6" x 3/8" 23 lbs	
CLC-8N CLDG08 CLDG10 CLDG12 CLDG14 CLDG18 CLSG12	NYLON CLEAT 8" HDG DOCK CLEAT 8" HDG DOCK CLEAT 10" HDG DOCK CLEAT 12" HDG DOCK CLEAT 14" HDG DOCK CLEAT 18" HDG SHIP CLEAT 12"	
DH-CA	CLEAT ANGLE SLOTTED 3" x 3" x 5" x 1/4" 2 lbs	
DH-HDCA	CLEAT ANGLE SLOTTED HEAVY DUTY FOR CLEATS 14" AND UP 3" x 3" x 7" x 1/4" 3lbs	

Part #	Description	Drawing
9H420	PILE CHAIN KIT 3/8" CHAIN, CHAFE ROLLERS, SHACKLES, T-TABS INCLUDED	
9H419	PILE CHAIN KIT WITH 12" ROLLER ASSEMBLY	
9H431	4" PILE ROLLER ASSEMBLY	
9H432	6" PILE ROLLER ASSEMBLY	
9H435	12" PILE ROLLER ASSEMBLY	
9H441	10"PILEGUIDE (FOR 8"PILE)	
9H442	12"PILEGUIDE (FOR 10"PILE)	
9H443	14"PILEGUIDE (FOR 12"PILE)	
9H444	16"PILEGUIDE (FOR 14"PILE)	
9H445	18"PILEGUIDE (FOR 16"PILE)	
9H446	10"PILEGUIDE WITH 4" ROLLER ASSY (FOR 8"PILE)	
9H447	12"PILEGUIDE WITH 6" ROLLER ASSY (FOR 10"PILE)	
9H448	14"PILEGUIDE WITH 6" ROLLER ASSY (FOR 12"PILE)	
9H449	16"PILEGUIDE WITH 6" ROLLER ASSY (FOR 14"PILE)	
9H450	18"PILEGUIDE WITH 6"ROLLER ASSY (FOR 16"PILE)	
9H452	10"PILEGUIDE WITH 4 ROLLERS (FOR 8"PILE)	
9H453	12"PILEGUIDE WITH 4 ROLLERS (FOR 10"PILE)	
9H454	14"PILEGUIDE WITH 4 ROLLERS (FOR 12"PILE)	
9H455	16"PILEGUIDE WITH 4 ROLLERS (FOR 14"PILE)	
9H456	18"PILEGUIDE WITH 4 ROLLERS (FOR 16"PILE)	
6H427	PILE ROLLER BRACKET	
6H446	HOOP SOCKET FOR PILE HOOP	
6H441	PILING HOOP 10" (FOR 8" PILE)	
6H442	PILING HOOP 12" (FOR 10" PILE)	
6H443	PILING HOOP 14" (FOR 12" PILE)	
6H447	EXTRA LONG PILING HOOP 14" (FOR 12"PILE)	
6H444	PILING HOOP 16" (FOR 14" PILE)	
6H448	EXTRA LONG PILING HOOP 16" (FOR 14"PILE)	
6H445	PILING HOOP 18" (16" PILE)	
6H452	PILING HOOP 10" FOR ROLLERS (FOR 8" PILE)	
6H453	PILING HOOP 12" FOR ROLLERS (FOR 10" PILE)	
6H454	PILING HOOP 14" FOR ROLLERS (FOR 12" PILE)	
6H455	PILING HOOP 16" FOR ROLLERS (FOR 14" PILE)	
6H449	EX LONG PILING HOOP 16" FOR ROLLERS (FOR 14" PILE)	
6H456	PILING HOOP 18" FOR ROLLERS (FOR 16" PILE)	